

h.koenig

Instruction manual

Manuel d'utilisation

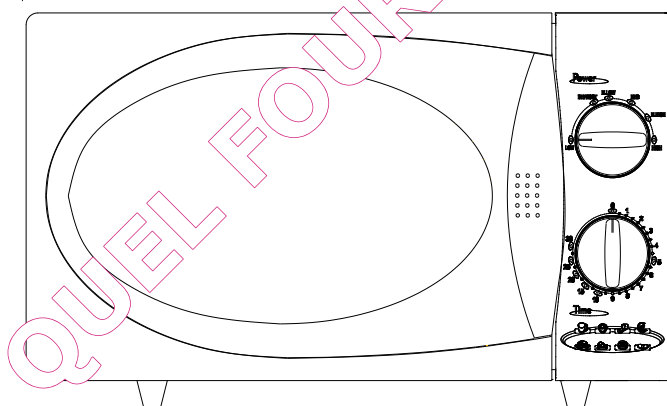
Bedienungsanleitung

Handboek

Manual de utilizacion

Manuale d'uso

VIO6



Microwave Oven

Micro-ondes

mikrowellenofen

Oven-magnetron

Horno microondas

Forno a microonde

English :

Please read these instructions carefully before installing and operating the oven.
Record in the space below the SERIAL NO. found on the nameplate on your oven
and retain this information for future reference.

PRECAUTIONS TO AVOID POSSIBLE EXPOSURE TO EXCESSIVE MICROWAVE ENERGY

1. Do not attempt to operate this oven with the door open since open door operation can result in harmful exposure to microwave energy. It is important not to defeat or tamper with the safety interlocks.
2. Do not place any object between the oven front face and the door or allow soil or cleaner residue to accumulate on sealing surfaces.
3. Do not operate the oven if it is damaged. It is particularly important that the oven door close properly and that there is no damage to the
 - a. Door (bent),
 - b. Hinges and latches (broken or loosened),
 - c. Door seals and sealing surfaces.
4. The oven should not be adjusted or repaired by anyone except properly qualified service personnel.

CONTENTS

- PRECAUTIONS TO AVOID POSSIBLE EXPOSURE TO EXCESSIVE MICROWAVE ENERGY
- IMPORTANT SAFETY INSTRUCTIONS
- SPECIFICATIONS
- INSTALLATION
- RADIO INTERFERENCE
- MICROWAVE COOKING PRINCIPLES
- GROUNDING INSTRUCTIONS
- BEFORE YOU CALL FOR SERVICE
- UTENSILS GUIDE
- PART NAMES
- CONTROL PANEL
 - . Power
 - . Timer
 - . Microwave cooking
- OPERATION
- CLEANING AND CARE

IMPORTANT SAFETY INSTRUCTIONS

When using electrical appliance basic safety precautions should be followed, including the following:

WARNING: To reduce the risk of burns, electric shock, fire, injury to persons or exposure to excessive microwave energy:

1. Read all instructions before using the appliance.
2. Use this appliance only for its intended use as described in this manual. Do not use corrosive chemicals or vapors in this appliance. This type of oven is specifically designed to heat, cook or dry food. It is not designed for industrial or laboratory use.
3. Do not operate the oven when empty.
4. Do not operate this appliance if it has a damaged cord or plug, if it is not working properly or if it has been damaged or dropped. If the supply cord is damaged, it must be replaced by the manufacturer or its service agent or a similarly qualified person in order to avoid a hazard.
5. **WARNING:** Only allow children to use the oven without supervision where adequate instructions have been given so that the child is able to use the oven in a safe way and understand the hazards of improper use.
6. To reduce the risk of fire in the oven cavity:
When heating food in plastic or paper container, check the oven frequently to the possibility of ignition.
Remove wire twist-ties from paper or plastic bags before placing bag in oven.
If smoke is observed, switch off or unplug the appliance and keep the door closed in order to stifle any flames.
Do not use the cavity for storage purposes. Do not leave paper products, cooking utensils or food in the cavity when not in use.
7. **WARNING:** Liquid or other food must not be heated in sealed containers since they are liable to explode.
8. Microwave heating of beverage can

result in delayed eruptive boiling, therefore care has to be taken when handle the container.

9. Do not fry food in the oven. Hot oil can damage oven parts and utensils and even result in skin burns.
10. Eggs in their shell and whole hard-boiled eggs should not be heated in microwave ovens since they may explode even after microwave heating has ended.
11. Pierce foods with heavy skins such as potatoes, whole squashes, apples and chestnuts before cooking.
12. The contents of feeding bottles and baby jars should be stirred or shaken and the temperature should be checked before serving in order to avoid burns.
13. Cooking utensils may become hot because of heat transferred from the heated food. Potholders may be needed to handle the utensil.
Utensils should be checked to ensure that they are suitable for use in microwave oven.
15. **WARNING:** It is hazardous for anyone other than a trained person to carry out any service or repair operation which involves the removal of any cover which gives protection against exposure to microwave energy.
16. This product is a Group 2 Class B ISM equipment. The definition of Group 2 which contains all ISM (Industrial, Scientific and Medical) equipment in which radio-frequency energy is intentionally generated and/or used in the form of electromagnetic radiation for the treatment of material, and spark erosion equipment. For Class B equipment is equipment suitable for use in domestic establishments and in establishments directly connected to a low voltage power supply network which supplies buildings used for domestic purpose.
17. This appliance is not intended for use by persons (including children) with reduced physical, sensory or mental capabilities, or lack of experience and

knowledge, unless they have been given supervision or instruction concerning use of the appliance by a person responsible for their safety.

18. Children should be supervised to ensure that they do not play with the appliance.
19. The microwave oven is only used in freestanding.
20. **WARNING:** Do not install oven over a range cooktop or other heat-producing appliance. If installed could be damaged and the warranty would be void.
21. The accessible surface may be hot during operation.
22. The microwave oven shall not be placed in a cabinet.
23. The door or the outer surface may get hot when the appliance is operating.
24. The temperature of accessible surfaces may be high when the appliance is operating.
25. The appliance shall be placed against a wall.
26. Appliance is not to be used by children or persons with reduced physical, sensory or mental capabilities, or lack of experience and knowledge, unless they have been given supervision or instruction.
27. Children being supervised not to play with appliance.
28. **WARNING:** If the door or door seals are damaged, the oven must not be operated until it has been repaired by a competent person.
29. The instructions shall state that appliances are not intended to be operated by means of an external timer or separate remote-control system.
30. The microwave oven is for household use only and not for commercial use.
31. Never remove the distance holder in the back or on the sides, as it ensures a minimum distance from the wall for air circulation.
32. Please secure the turn table before you move the appliance to avoid damages.
33. **Caution:** It is dangerous to repair or maintain the appliance by no other than a specialist because under these circumstances the cover has to be removed which assures protection against microwave radiation. This applies to changing the power cord or the lighting as well. Send the appliance in these cases to our service centre.
34. The microwave oven is intended for defrosting, cooking and steaming of food only.
35. Use gloves if you remove any heated food.
36. **Caution!** Steam will escape, when opening lids or wrapping foil.
37. This appliance can be used by children aged from 8 years and above and persons with reduced physical, sensory or mental capabilities or lack of experience and knowledge if they have been given supervision or instruction concerning use of the appliance in a safe way and understand the hazards involved. Children shall not play with the appliance. Cleaning and user maintenance shall not be made by children unless they are aged from 8 years and above and supervised.
38. If smoke is emitted, switch off or unplug the appliance and keep the door closed in order to stifle.

SPECIFICATIONS

Power Consumption:	230-240V/50Hz, 1200W(Microwave)
Rated microwave power output:	700W
Operation Frequency:	2450MHz
Outside Dimensions:	262mm(H)×452mm(W)×334mm(D)
Oven Cavity Dimensions:	198mm(H)×315mm(W)×297mm(D)
Oven Capacity:	20 Litres
Cooking Uniformity:	Turntable System
Net Weight:	Approx.10.5 kg

INSTALLATION

1. Make sure that all the packing materials are removed from the inside of the door.
2. **WARNING:** Check the oven for any damage, such as misaligned or bent door, damaged door seals and sealing surface, broken or loose door hinges and latches and dents inside the cavity or on the door. If there is any damage, do not operate the oven and contact qualified service personnel.
3. Do not place the oven where heat, moisture, or high humidity are generated, or near combustible materials.
4. For correct operation, the oven must have sufficient airflow. Allow 20cm of space above the oven, 10cm at back and 5cm at both sides. Do not cover or block any openings on the appliance. Do not remove feet.
5. Do not operate the oven without glass turntable and turntable support in their proper positions.
6. Make sure that the power supply cord is undamaged and does not run under the oven or over any hot or sharp surface.
7. The socket must be readily accessible so that it can be easily unplugged in an emergency.
8. Do not use the oven outdoors.

RADIO INTERFERENCE

Operation of the microwave oven can cause interference to your radio, TV, or similar equipment.

When there is interference, it may be reduced or eliminated by taking the following measures:

1. Clean door and sealing surface of the oven.
2. Reorient the receiving antenna of radio or television.
3. Relocate the microwave oven with respect to the receiver.

4. Move the microwave oven away from the receiver.
5. Plug the microwave oven into a different outlet so that microwave oven and receiver are on different branch circuits.

MICROWAVE COOKING PRINCIPLES

1. Arrange food carefully. Place thickest areas towards outside of dish.
2. Watch cooking time. Cook for the shortest amount of time indicated and add more as needed. Food severely overcooked can smoke or ignite.
3. Cover foods while cooking. Covers prevent spattering and help foods to cook evenly.
4. Turn foods over once during microwave cooking to speed cooking of such foods as chicken and hamburgers. Large items like roasts must be turned over at least once.
5. Rearrange foods such as meatballs halfway through cooking both from top to bottom and from the center of the dish to outside.

GROUNDING INSTRUCTIONS

This appliance must be grounded. This oven is equipped with a cord having a grounding wire with a grounding plug. It must be plugged into a wall receptacle that is properly installed and grounded. In the event of an electrical short circuit, grounding reduces risk of electric shock by providing an escape wire for the electric current. It is recommended that a separate circuit serving only this oven be provided. Using a high voltage is dangerous and may result in a fire or other accident causing oven damage.

WARNING Improper use of the grounding plug can result in a risk of electric shock.

Note:

1. If you have any questions about the grounding or electrical instructions, consult a qualified electrician or service person.
2. Neither the manufacturer nor the dealer can accept any liability for damage to the oven or personal injury resulting from failure to observe the electrical connection procedures.

The wires in this cable main are colored in accordance with the following code:

- Green and Yellow = EARTH
- Blue = NEUTRAL
- Brown = LIVE

BEFORE YOU CALL FOR SERVICE

If the oven fails to operate:

1. Check to ensure that the oven is plugged in securely. If it is not, remove the plug from the outlet, wait 10 seconds, and plug it in again securely.
2. Check for a blown circuit fuse or a tripped main circuit breaker. If these seem to be operating properly, test the outlet with another appliance.
3. Check to ensure that the control panel

is programmed correctly and the timer is set.

4. Check to ensure that the door is securely closed engaging the door

safety lock system. Otherwise, the microwave energy will not flow into the oven.

IF NONE OF THE ABOVE RECTIFIES THE SITUATION, THEN CONTACT A QUALIFIED TECHNICIAN. DO NOT TRY TO ADJUST OR REPAIR THE OVEN YOURSELF.

QUEL FOUR.COM

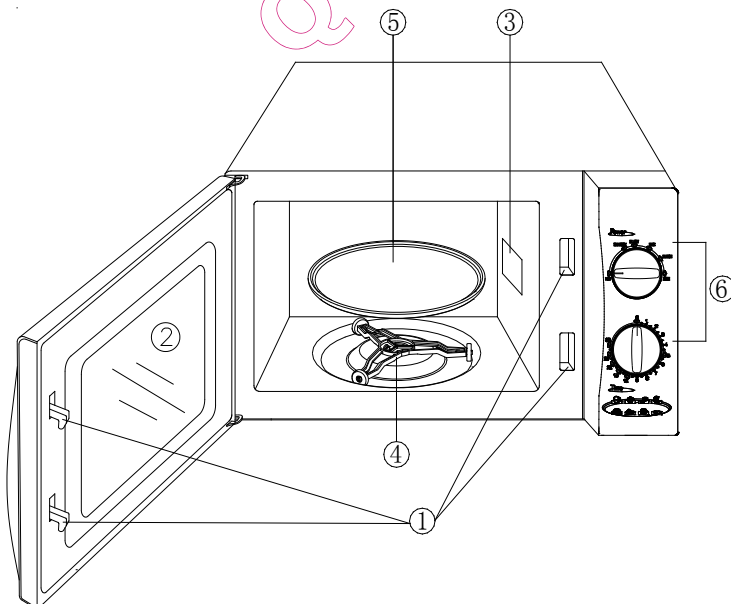
UTENSILS GUIDE

1. The ideal material for a microwave utensil is transparent to microwave, it allows energy to pass through the container and heat the food.
2. Microwave cannot penetrate metal, so metal utensils or dishes with metallic trim should not be used.
3. Do not use recycled paper products when microwave cooking, as they may contain small metal fragments which may cause sparks and/or fires.
4. Round /oval dishes rather than square/oblong ones are recommend, as food in corners tends to overcook.
5. Narrow strips of aluminum foil may be used to prevent overcooking of exposed areas. But be careful don't use too much and keep a distance of 1 inch (2.54cm) between foil and cavity.

The list below is a general guide to help you select the correct utensils.

COOKWARE	MICROWAVE
Heat-Resistant Glass	Yes
Non Heat-Resistant Glass	No
Heat-Resistant Ceramics	Yes
Microwave-Safe Plastic	Yes
Kitchen Paper	Yes
Metal Tray	No
Metal Rack	No
Aluminum Foil & Foil Container	No

PART NAMES



1. Door Safety Lock System
2. Oven Window
3. Wave Guide(Please do not remove the mica plate covering the wave guide)
4. Turntable Roller
5. Glass Turntable
6. Control Panel

CONTROL PANEL

The control panel consists of two function operators. One is a time knob, and the other a power knob.

POWER

You use this operator knob to choose a cooking power level. It is the first step to start a cooking session.

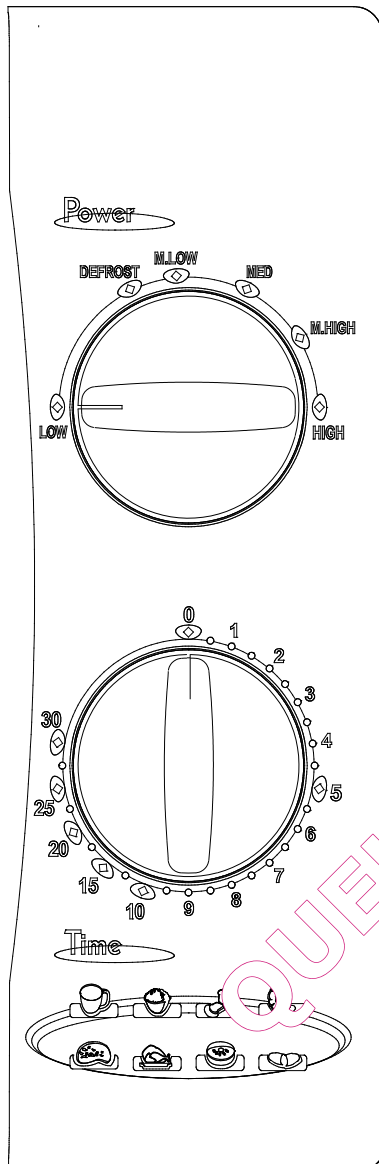
TIMER

Offers visual timing settings at easy turn of your thumb to select a desired cooking time up to 30 minutes per cooking session.

MICROWAVE COOKING

For microwave cooking, there are six power levels from which to choose one as best fit to do the job at hand.

Power level increases with the knob turning clockwise. The power levels can be classified as the following:



	Power Output	Description
1	100%	HIGH
2	85%	M.HIGH
3	66%	MED
4	48%	M.LOW
5	40%	DEFROST
6	17%	LOW

OPERATION

To start a cooking session,

1. Place food in oven and close the door.
2. Turn Power Level Selector to select a power level.
3. Use Timer knob to set a cooking time.

NOTE:

As soon as the timer is turned, oven starts cooking.

When selecting time for less than 2 minutes, turn timer past 2 minutes and then return to the correct time.

CAUTION: ALWAYS RETURN TIMER BACK TO ZERO POSITION if food is removed from oven before the set cooking time is complete or when oven is not in use. To stop oven during cooking process, push the door release button or open the door by the handle.

CLEANING AND CARE

1. Turn off the oven and remove the power plug from the wall socket before cleaning.
2. Keep the inside of the oven clean. When food splatters or spilled liquids adhere to oven walls, wipe with a damp cloth. Mild detergent may be used if the oven gets very dirty. Avoid the use of spray and other heavy cleaners as they may stain, streak or dull the door surface.
3. The outside surfaces should be cleaned with a damp cloth. To prevent damage to the operating parts inside the oven, water should not be allowed to seep into the ventilation openings.
4. Wipe the door and window on both sides, the door seals and adjacent parts frequently with a damp cloth to remove any spills or spatters. Do not use abrasive cleaner.
5. Do not allow the control panel to become wet. Clean with a soft, damp cloth. When cleaning the control panel, leave oven door open to prevent oven from accidentally turning on.
6. If steam accumulates inside or around the outside of the oven door, wipe with a soft cloth. This may occur when the microwave oven is operated under high humidity condition. And it is normal.
7. It is occasionally necessary to remove the glass tray for cleaning. Wash the tray in warm sudsy water or in a dishwasher.
8. The turntable roller and oven floor should be cleaned regularly to avoid excessive noise. Simply wipe the bottom surface of the oven with mild detergent. The turntable roller may be washed in mild sudsy water or dishwasher. When removing the roller ring from cavity floor for cleaning, be sure to replace in the proper position.
9. Remove odors from your oven by combining a cup of water with the juice and skin of one lemon in a deep microwaveable bowl, microwave for 5 minutes. Wipe thoroughly and dry with a soft cloth.
10. When it becomes necessary to replace the oven light, please consult a dealer to have it replaced.

ENVIRONMENT



CAUTION:

Do not dispose of this product as it has with other household products. There is a separation of this waste product into communities, you will need to inform your local authorities about the places where you can return this product. In fact, electrical and electronic products contain hazardous substances that have harmful effects on the environment or human health and should be recycled. The symbol here indicates that electrical and electronic equipment should be chosen carefully, a wheeled waste container is marked with a cross.

Manufactured and imported: Adeva SAS 8 rue Marc Seguin 77290 Mitry-Mory FRANCE

www.hkoenig.com - contact@hkoenig.com - Tel 01 64 67 00 11

QUEL FOUR.COM

Français :

Nous vous prions de bien lire ces instructions avant l'installation et la mise en marche du four. Notez bien le numéro de série indiqué sur la plaque du four et conservez cette information pour toute référence future.

Précautions pour éviter une éventuelle exposition à l'énergie du micro-ondes

1. N'essayez pas de mettre le four en marche avec la porte ouverte, vous pourriez subir des dommages dus à l'exposition à l'énergie micro-ondes. Il est très important de ne pas manipuler les systèmes de fermeture de sécurité.
2. Ne placez aucun objet devant la porte du four. Ne laissez pas de poussière ou de produits nettoyants s'accumuler sur la surface de la zone de fermeture.
3. N'utilisez pas le four s'il est endommagé. Il est très important que la porte du four soit bien fermée et que les éléments suivants ne présentent aucun défaut ou ne soient pas endommagés :
 - a. Porte (voilée),
 - b. Charnières et verrous (cassés ou détachés)
 - c. **Joint d'étanchéité de la porte et surface du joint.**
4. Vous ne devez pas régler ou réparer le four à moins de le faire effectuer par le service technique ou un technicien autorisé.

CONTENU

- PRECAUTIONS POUR EVITER D'EVENUELS ENDOMMAGEMENTS DUS À L'EXPOSITION A L'ENERGIE MICRO-ONDES
- INSTRUCTIONS IMPORTANTES SUR LA SECURITE
- SPECIFICATIONS
- INSTALLATION
- PERTURBATION RADIOELECTRIQUE
- COMMENT CUISINER AU MICRO-ONDES
- INSTRUCTIONS POUR PRISE DE TERRE
- AVANT DE FAIRE APPEL AU SERVICE TECHNIQUE
- GUIDE DES USTENSILES
- NOMS DES COMPOSANTS
- PANNEAU DE COMMANDE
- OPÉRATION
- NETTOYAGE ET ENTRETIEN

INSTRUCTIONS IMPORTANTES DE SÉCURITÉ

Lorsque vous utilisez des appareils électriques, vous devez prendre des précautions de sécurité basiques.

Attention: pour réduire les risques de brûlures, choc électrique, incendie, et blessures sur des personnes ou une exposition prolongée à l'énergie du micro-ondes:

1. Lisez toutes les instructions avant d'utiliser l'appareil.
2. Utilisez seulement cet appareil pour son usage habituel comme il est décrit dans cette notice d'utilisation. N'utilisez pas de produits chimiques corrosifs ou de vapeur dans cet appareil. Ce type de four est spécialement conçu pour chauffer, cuire ou sécher la nourriture, cet appareil n'est pas conçu pour l'usage industriel ou en laboratoire..
3. N'utilisez pas le four à vide
4. N'utilisez pas cet appareil si le câble ou la prise sont endommagés. Si l'appareil ne fonctionne pas correctement, a été endommagé, ou est tombé. Si le câble d'alimentation est endommagé, il doit être changé par le fabricant ou le service technique ou par une personne autorisée pour éviter tout danger.
5. Attention: ne permettez aux enfants d'utiliser le four sans surveillance que s'ils ont reçu les recommandations nécessaires pour une utilisation sûre et s'ils sont conscients des dangers en cas d'utilisation incorrecte.
5. Pour réduire les risques d'incendie dans la cavité:
 - a. Lorsque vous chauffez la nourriture dans un récipient en plastique ou en papier, vérifiez fréquemment le four en raison d'une possible ignition.
 - b. Enlevez les liens métalliques des sachets en papier ou en plastique avant de mettre le sachet au four.
 - c. S'il y a de la fumée, éteignez ou débranchez le four et maintenez la porte du four fermée afin de maîtriser le feu.
6. N'utilisez pas la cavité du four pour stocker des aliments. Ne laissez pas de produits en papier, d'ustensiles de cuisines ou d'aliments dans le four lorsque celui-ci n'est pas en usage.
7. Attention: tout liquide ou toute nourriture ne doivent pas être chauffés dans un récipient fermé car ils peuvent éclater.
8. Chauffer les boissons au micro-ondes peut provoquer une ébullition éruptive à retardement il faut donc faire très attention au moment de prendre le récipient.
9. Ne mettez pas les aliments dans le four. L'huile chaude peut endommager les parties du four et les ustensiles et même provoquer des brûlures de la peau.
10. Les œufs dans leurs coquilles et les œufs durs ne doivent pas être chauffés dans le four car ils peuvent éclater même lorsque le four ne chauffe plus.
11. Perforez la peau épaisse des aliments comme les pommes de terre, citrouilles, pommes et châtaignes avant de les cuire.
12. Mélangez ou agitez le contenu des biberons et des petits pots et vérifiez la température avant de servir pour ne pas vous brûler.
13. Les ustensiles de cuisine chauffent à cause de la chaleur des aliments. Utiliser des gants de protection pour prendre les ustensiles.
14. Vérifiez les ustensiles pour vous assurer qu'ils sont adaptés à l'utilisation en micro-ondes.
15. Cet appareil n'est pas prévu pour être utilisé par des personnes (y compris les enfants) dont les capacités physiques, sensorielles ou mentales sont réduites, ou des personnes dénuées d'expériences ou de connaissance sauf si elles ont pu

bénéficier par l'intermédiaire d'une personne responsable de leur sécurité, d'une surveillance ou d'instructions préalables concernant l'utilisation de l'appareil. Il convient de surveiller les enfants pour s'assurer qu'ils ne jouent pas avec l'appareil.

16. **Attention:** il est dangereux de faire des réparations ou de la maintenance si la personne n'est pas dûment formée, car en enlevant le couvercle de protection la personne s'expose à l'énergie du micro-ondes.
17. Le micro-onde ne doit être utilisé que de manière autonome.
18. **AVERTISSEMENT:** Ne pas installer le four sur une plaque de cuisson ou d'un autre appareil produisant de la chaleur. car cela pourrait endommager l'appareil et la garantie serait nulle.
19. Les surfaces accessible du micro-onde peuvent être chaude pendant le fonctionnement.
20. Le four à micro-onde ne doit pas être placé dans un meuble.
21. L'appareil doit être placé contre un mur.
22. L'appareil ne doit pas être utilisé par des enfants ou des personnes dont les capacités physiques, sensorielles ou mentales sont réduites ou qui ont un manque d'expérience et de connaissances, à moins qu'elles ne soient surveillées ou informées.
23. **ATTENTION:** Si la porte ou les joints de porte sont endommagés, le four ne doit pas être utilisé jusqu'à ce qu'il ait été réparé par une personne compétente.
24. L'appareil n'est pas conçu pour être actionné au moyen d'une minuterie externe ou d'un système de contrôle à distance.
25. Le four à micro-ondes est à usage domestique uniquement et non pour un usage commercial.
26. Ne jamais retirer le support à distance à l'arrière ou sur les côtés, car il assure une distance minimale de la paroi pour la circulation de l'air.
27. Fixer la plaque tournante avant de déplacer l'appareil pour éviter des dommages.
28. **Attention:** Il est dangereux de réparer ou d'entretenir l'appareil par nul autre qu'un spécialiste car le couvercle à retirer assure une protection contre les rayonnements. Cela s'applique si vous devez changer le cordon d'alimentation ou l'éclairage. Dans ces cas là, envoyer l'appareil à notre centre de service.
29. Le four à micro-ondes est destiné à la décongélation, la cuisson à la vapeur et à la cuisson de la nourriture seulement.
30. Utiliser des gants si vous retirez de la nourriture chauffée.
31. Attention! De la vapeur s'échappe lors de l'ouverture des couvercles ou des feuilles d'emballage.
32. Si de la fumée est émise, éteindre ou débrancher l'appareil et garder la porte fermée pour l'étouffer.

SPECIFICATIONS

Consommation d'énergie	230-240V/50Hz, 1200W(Micro-onde)
Sortie de puissance du four micro-ondes	700W
Fréquence d'opération	2450MHz
Dimensions extérieures	262mm(H)×452mm(W)×334mm(D)
Dimensions de la cavité du four micro-ondes	198mm(H)×315mm(W)×297mm(D)
Capacité du four à micro-ondes	20Litres
Uniformité de la cuisson	Système de plaque tournante
Poids net:	Approx.10.5 kg

INSTALLATION

1. Assurez-vous que vous avez bien enlevé tout le matériel d'emballage à l'intérieur.
2. Attention : vérifiez les éventuels défauts du four, par exemple si la porte est déboîtée ou tordue; ou si le joint d'étanchéité de la porte ou la surface du joint sont endommagés ou cassés; ou encore que les verrous ou les charnières de la porte sont détendus ou cassés ou s'il y a des déformations dans la cavité ou sur la porte. En cas d'endommagements, ne mettez pas le four en marche et contactez directement le service technique.
3. Ce four à micro-ondes doit être posé sur une surface plane et stable pouvant supporter son poids et le poids maximum des aliments prévu pour ce four.
4. Ne placez pas le four à proximité de sources de chaleur, d'humidité ou de forte humidité ou de matériels inflammables.
5. Pour un usage correct, le four doit avoir une entrée d'air suffisante. Prévoyez un espace de 20 cm au-dessus du four, 10 cm derrière et 5 cm sur les côtés. Ne bouchez pas et ne bloquez pas les ouvertures de l'appareil. Ne démontez pas les pieds.
6. Ne mettez pas l'appareil en marche sans le plateau tournant en verre, les appuis à roulement et l'axe en position correcte.
7. Assurez-vous que le cordon d'alimentation n'est pas endommagé et qu'il ne passe pas en dessous du four ou sur des surfaces chaudes ou tranchantes.
8. La prise femelle doit être installée dans un endroit facile d'accès pour que la prise male puisse être débranchée facilement en cas d'urgence.
9. N'utilisez pas le four à l'extérieur.

PERTURBATION RADIOELECTRIQUE

Le fonctionnement du four peut brouiller la réception de radio, TV ou appareils similaires. Cette interférence peut être réduite ou éliminée en prenant les mesures suivantes :

1. Nettoyez la porte du four et la surface du joint.
2. Réorientez l'antenne de radio ou de

télévision.

3. Remplacez le micro-ondes par rapport au récepteur.
4. Déplacez le micro-ondes loin du récepteur.
5. Branchez le micro-ondes dans un lieu différent pour que celui-ci et le récepteur soient branchés dans des lieux différents.

MICROWAVE COOKING PRINCIPLES

1. Placez soigneusement la nourriture. Mettez les parties les plus épaisses vers les bords du récipient.
2. Observez le temps de cuisson. Faites cuire pendant le temps de cuisson minimum indiqué et augmentez si besoin est. Les aliments cuits intensément peuvent brûler et prendre feu.
3. Couvrez les aliments pendant la cuisson. Les couvercles évitent les

éclaboussures et permettent aux aliments de cuire de façon homogène.

4. Pour accélérer la cuisson, retournez la nourriture volumineuse comme le poulet ou les biftecks hachés au moins une fois.
5. Réorganisez à mi-cuisson la position des aliments comme les boulettes, en cuisant de haut en bas et du centre aux bords du récipient.

GROUNDING INSTRUCTIONS

Cet appareil doit être branché sur une prise de terre. Ce four est équipé d'un fil de terre branché à une électrode de masse. Cette prise mâle doit être correctement branchée à une prise femelle avec prise de terre. En cas de court circuit, la prise de terre réduit le risque de choc électrique parce qu'elle fournit un câble de sortie pour le courant électrique. Il est recommandé que la prise femelle soit utilisée seulement pour l'appareil. L'usage d'un voltage élevé est dangereux et peut provoquer des incendies ou autres accidents pouvant causer des détériorations au four.

Attention: l'utilisation incorrecte de l'électrode de masse peut provoquer un choc électrique.

Note

1. Si vous avez des doutes sur la prise de terre ou sur les instructions électriques, consultez un électricien ou un service officiel.
2. Ni le fabricant ni le distributeur sont responsables des dommages et intérêts causés aux personnes ou au four faute de suivre les indications de branchement électrique.

les fils dans le câble principal sont en couleurs selon les codes suivants:

vert et jaune = Terre
bleu = Neutre

marron = Ligne

AVANT DE FAIRE APPEL AU SERVICE TECHNIQUE

Si le four à micro-ondes ne fonctionne pas:

1. Vérifiez si le fusible du disjoncteur ou le disjoncteur n'a pas sauté. Si ces deux derniers n'ont pas bougé, vérifiez si la prise femelle fonctionne en branchant un autre appareil pour la vérification.
2. Vérifiez si le panneau de commande

est correctement programmé et si la minuterie est activée.

3. Vérifiez si la porte est fermée avec le mécanisme de fermeture de sécurité. Si elle ne l'est pas, l'énergie micro-ondes ne s'écoulera pas dans le four.

Si aucune de ces mesures ne rectifie la situation, faites alors appel à un technicien autorisé, n'essayez pas de régler ou de réparer le four vous-même.

QUEL FOUR.COM

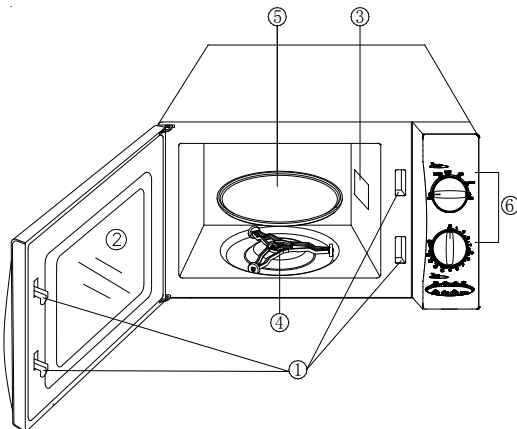
UTENSILS GUIDE

1. Le matériel idéal pour les ustensiles de micro-ondes doit être transparent pour laisser passer l'énergie à travers le récipient et chauffer la nourriture.
2. L'énergie micro-ondes ne peut pas pénétrer le métal, il ne faut donc pas utiliser d'ustensiles et de récipients en métal ou avec des bords en métal.
3. N'utilisez pas de produits en papier recyclés dans le micro-ondes, car ils peuvent contenir de petits fragments de métal pouvant provoquer des étincelles et/ou des flammes.
4. Nous vous recommandons d'utiliser des récipients ovales/ ronds plutôt qu'oblongs ou carrés, car la nourriture a tendance à cuire plus dans les coins.
5. Les bandes étroites de papier aluminium peuvent être utilisées contre la cuisson excessive dans les zones exposées. Faites attention et n'utilisez pas trop de papier aluminium et maintenez une distance de 2,54 cm entre le papier aluminium et la cavité.

La liste ci-dessous est un guide général afin de sélectionner les bons ustensiles.

USTENSILES	MICRO-ONDES
Verre résistant à la chaleur	Oui
Verre ne résistant pas à la chaleur	Non
Céramique résistant à la chaleur	Oui
Plat en plastique convenant au micro-ondes	Oui
Papier de cuisson	Oui
Plateau en métal	Non
Support en métal	Non
Papier aluminium	Non

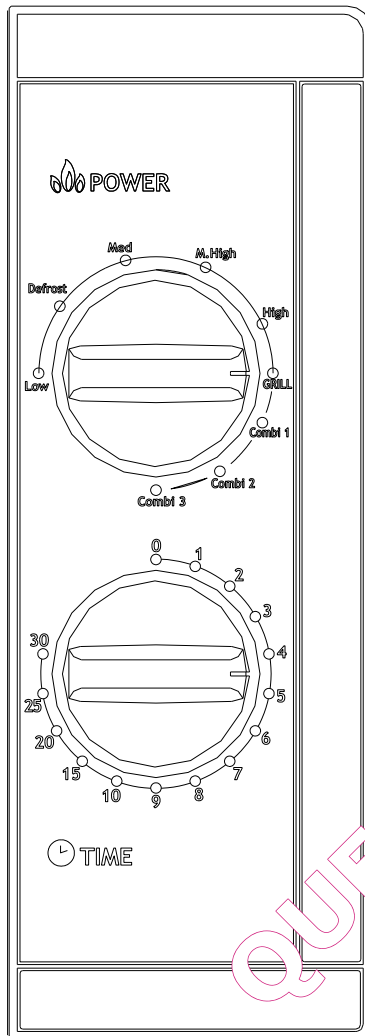
NOMS DES COMPOSANTS



1. Système de sécurité
2. Hublot
3. Ventilation (Ne pas couvrir cette partie du micro-ondes)
4. Axe de rotation
5. Plateau tournant en verre
6. Control Panel

PANNEAU DE COMMANDE

Le panneau de contrôle se compose de deux fonctions. la première "power", qui correspond à la puissance de cuisson et la seconde "time" qui correspond à la minuterie.



POWER

Le bouton power permet de choisir un niveau de puissance de cuisson.

TIME

Le bouton de minuterie permet de choisir le temps de cuisson et de mettre en route l'appareil.

Afin de sélectionner le temps de cuisson, tournez le bouton vers la droite. le temps maximum de cuisson est de 30 minutes

MICROWAVE COOKING

Il y a six niveaux de puissance pour la cuisson. Il est important de choisir la puissance de cuisson en fonction du plat à cuire. Pour augmenter la puissance, tournez le bouton vers la droite.

Les niveaux de puissance peuvent être classés comme dans le tableau ci-contre :

	Puissance	Description
1	100%	HIGH
2	85%	M.HIGH
3	66%	MED
4	48%	M.LOW
5	40%	DEFROST
6	17%	LOW

OPÉRATION

Pour démarrer une session de cuisson :

1. Placez les aliments dans le four et fermez la porte.
2. Tournez le bouton power pour sélectionner un niveau de puissance.
3. Utilisez le bouton de la minuterie pour régler le temps de cuisson.

NOTE :

Dès que le minuteur est activé, le four commence la cuisson.

Pour un temps de cuisson inférieur à 2 min, tournez le bouton de minuterie après 2 min et revenez sur le temps souhaité.

ATTENTION : TOUJOURS REMETTRE LE TIMER À ZÉRO si la nourriture est retirée du four avant que le temps de cuisson soit terminé ou si le four n'est pas utilisé. Pour arrêter le four pendant la cuisson, appuyez sur le bouton d'ouverture de la porte ou ouvrez la porte par la poignée.

NETTOYAGE ET ENTRETIEN

1. Avant de nettoyer, éteignez le four et coupez le courant en débranchant la prise femelle du mur.
2. Gardez votre four propre. Lorsque la nourriture ou les liquides éclaboussent et adhèrent aux parois du four, passez un chiffon humide. On peut utiliser un détergent doux si le four se salit beaucoup. Évitez l'usage de spray et autres produits agressifs car ils peuvent salir les surfaces de la porte.
3. Les surfaces extérieures doivent être nettoyées avec un chiffon humide. Pour prévenir des dégâts aux parties opératives intérieures, l'eau ne doit pas traverser la grille intérieure.
4. Passez régulièrement le chiffon humide sur les deux côtés de la porte et du hublot, les joints des portes et autres parties contiguës pour enlever les éclaboussures.
5. Ne laissez pas le panneau de commande se mouiller et laissez la porte du four ouverte afin d'éviter sa mise en marche accidentelle.
6. En cas d'accumulation de vapeur dans ou autour du four, nettoyez-la avec un chiffon doux. Cela peut arriver lorsque le four fonctionne sous des conditions de forte humidité. Cela est normal.
7. Occasionnellement il est nécessaire d'enlever le plat en verre pour nettoyer. Lavez le plateau tournant avec de l'eau savonneuse ou au lave-vaisselle.
8. L'anneau roulant et la base du four doivent être nettoyés régulièrement pour éviter l'excès de bruit. Utilisez simplement un chiffon avec un détergent doux. L'anneau peut se nettoyer à l'eau savonneuse ou au lave-vaisselle. Lorsque vous enlèverez l'anneau de la cavité pour nettoyer la base, remettez-le dans sa position correcte.
9. Pour enlever les odeurs du four, mettez de l'eau avec un peu de citron dans un récipient adapté aux micro-ondes et mettez le four en marche pendant 5 minutes. Nettoyez bien le four et séchez avec un chiffon doux.
10. Lorsqu'il est nécessaire de changer la lumière du four, contactez votre distributeur.



ATTENTION :

Vous ne devez pas vous débarrasser de cet appareil avec vos déchets ménagers. Un système de collecte sélective pour ce type de produit est mis en place par les communes, vous devez vous renseigner auprès de votre mairie afin d'en connaître les emplacements. En effet, les produits électriques et électroniques peuvent contenir des substances dangereuses qui ont des effets néfastes sur l'environnement ou la santé humaine et doivent être recyclés. Le symbole ci-contre indique que les équipements électriques et électroniques font l'objet d'une collecte sélective, il représente une poubelle sur roues barrée d'une croix.

Fabriqué pour et importe par : Adeva SAS Import 8 rue Marc Seguin 77290 Mitry-Mory FRANCE

contact@adeva-import.com 01.64.67.00.01

QUEL FOUR.COM

Deutsch:

Lea atentamente estas instrucciones antes de proceder a la instalación y al uso del horno microondas. Anote el número de serie indicado en la placa del dispositivo y guarde esta información para usarla en el futuro.

VORSICHTSMASSNAHMEN ZUR VERMEIDUNG EINER ÜBERMÄSSIGEN MIKROWELLENSTRAHLUNG

1. Benützen Sie das Gerät niemals bei geöffneter Tür, da hierbei schädliche Mikrowellenstrahlung austreten kann. Die Sicherheitsverriegelungen an der Tür dürfen nicht manipuliert werden.
2. Stellen Sie keine Gegenstände zwischen die Vorderseite des Gerätes und die Tür. Achten Sie darauf, dass sich auf den Abdichtungen keine Verschmutzungen oder Rückstände von Reinigungsmitteln ansammeln.
3. Benutzen Sie das Gerät nicht wenn es beschädigt ist. Die Tür des Gerätes muss einwandfrei schliessen und keine Beschädigungen oder Verformungen aufweisen. Achten Sie darauf, dass die Scharniere und Verriegelungen in einem einwandfreien Zustand sind und die Türdichtungen und Dichtflächen keine Beschädigungen oder Verunreinigungen aufweisen.
4. Änderungen oder Reparaturen am Geräte dürfen nur von entsprechend qualifizierten Fachleuten vorgenommen werden.

INHALT

- VORSICHTSMASSNAHMEN ZUR VERMEIDUNG ÜBERMÄSSIGER MIKROWELLENSTRAHLUNG
- WICHTIGE SICHERHEITSHINWEISE
- TECHNISCHE DATEN
- INSTALLIERUNG
- FUNKSTÖRUNGEN
- KOCHANLEITUNG
- HINWEISE ZUR ERDUNG
- BEVOR SIE SICH AN DEN FACHHANDEL WENDEN
- HINWEISE ZU DEN WERKZEUGEN
- NAMEN
- BEDIENUNGSFELD
- BETRIEB
- REINIGUNG UND WARTUNG

WICHTIGE SICHERHEITSHINWEISE

Beim Gebrauch von elektrischen Geräten sollten grundlegende Vorsichtsmaßnahmen getroffen werden. Vorsicht: Um das Risiko von Verbrennungen, elektrischen Schlägen, Brandgefahr und Verletzungen von Personen oder einer übermäßigen Mikrowellenstrahlung zu verringern sollte folgendes beachtet werden:

1. Lesen Sie bitte vor der Inbetriebnahme des Gerätes diese Bedienungsanleitung aufmerksam durch.
2. Benutzen Sie dieses Gerät nur für den in dieser Anleitung beschriebenen Zweck. Verwenden Sie keine Chemikalien oder ätzende Dämpfe in dem Gerät. Dieses Gerät ist nur zum Erhitzen, Kochen, Garen oder Trocknen von Nahrungsmitteln und nicht für eine gewerbliche Nutzung oder einer Verwendung im Labor geeignet.
3. Das Gerät niemals ohne Inhalt in Betrieb nehmen.
4. Benutzen Sie das Gerät nicht, wenn das Netzkabel bzw. Stecker beschädigt ist. Benutzen Sie das Gerät ebenfalls nicht, wenn es nicht richtig funktioniert, beschädigt, oder runter gefallen ist. Falls das Netzkabel beschädigt ist, sollte es durch den Hersteller oder dem zuständigen Dienstleistungsunternehmen, bzw. einer autorisierten Person ersetzt werden um Gefahren zu vermeiden.
5. Vorsicht: Lassen Sie Kinder niemals unbeaufsichtigt das Gerät benutzen.
6. Um Brände im Innern des Gerätes zu vermeiden sollte folgendes beachtet werden:
 - a. Wenn Sie heisse Nahrungsmittel in Plastik- oder Papierbehältern erhitzen, kontrollieren Sie mehrmals das Geschehen, um einen möglichen Brand zu vermeiden.
 - b. Entfernen Sie Drahtverschlüsse von Papier- oder Plastikbeuteln, bevor Sie diesen im Gerät platzieren.
 - c. Sollte das Gerät anfangen zu quillmen, schalten Sie es aus oder ziehen Sie das Netzkabel, lassen Sie die Türe geschlossen damit sich das Feuer nicht ausbreitet.
7. Benutzen Sie das Gerät nicht zu Lagerungszwecken. Lassen Sie *No utilice el interior del horno para almacenar alimentos.* Bewahren Sie keine Papierreste, Kochutensilien oder Nahrungsmittel im Gerät auf, während es nicht in Betrieb ist.
8. Vorsicht: Erhitzen Sie Flüssigkeiten und Nahrungsmittel nicht in einem geschlossenen Behälter, da dieser explodieren kann.
9. Das Erhitzen von Getränken kann dazu führen, dass diese anfangen zu kochen und herausspritzen, seien Sie also besonders vorsichtig bei der Handhabung eines solchen Behälters.
10. Frittieren Sie keine Nahrungsmittel im Gerät, da das heiße Öl Teile und Utensilien des Gerätes beschädigen und sogar zu Hautverbrennungen führen kann. *No fría los alimentos en el horno.*
11. Eier mit Schalen und harte Eier sollten nicht im Gerät erhitzt werden, da diese explodieren können, selbst wenn das Gerät nicht erhitzt.
12. Nahrungsmittel mit fester Haut oder Schale wie z.B. Kartoffeln, Kürbise oder Äpfel müssen vor dem Kochen mehrmals eingekerbt werden.
13. Um Verbrühungen zu vermeiden müssen Flüssigkeiten vor dem Servieren bzw. Einnehmen umgerührt oder geschüttelt und die Temperatur überprüft werden.
14. Achtung: Benutzen Sie Topflappen/Küchenhandschuhe um heiße Behälter zu entfernen.
15. Stellen Sie sicher, dass Sie nur mikrowellengeignetes Geschirr verwenden. Das Gerät darf nicht von Personen (Kind eingeschlossen) mit physischen, geistigen oder sensorischen

- reduzierten Fähigkeiten benutzt werden. Das Gerät darf auch nicht von Personen fehlender Erfahrung oder Wissen benutzt werden, wenn sie nicht von einer verantwortungsvollen Sicherheitsperson über den Einsatz des Gerätes informiert worden sind. Kinder sollten stets beaufsichtigt werden um sicherzustellen, dass sie nicht mit dem Gerät spielen.
16. Achtung: Wartungen und Reparaturen dürfen nur von hierfür autorisierten Fachleuten vorgenommen werden. Gefahr durch austretende Mikrowellenstrahlung!
 17. Bedienen Sie das Gerät selbstständig.
 18. ACHTUNG: Platzieren Sie das Gerät nicht auf heißen Oberflächen, da diese das Gerät beschädigen können.
 19. Die Oberflächen des Gerätes können sich während des Betriebes erhitzen.
 20. Das Gerät darf nicht in einem Schrank oder Ähnlichem platziert werden.
 21. Das Gerät sollte gegen eine Wand aufgestellt werden.
 22. Das Gerät darf nicht von Kindern oder von Personen mit physischen, geistigen oder sensorischen reduzierten Fähigkeiten benutzt werden. Das Gerät darf auch nicht von Personen fehlender Erfahrung oder Wissen benutzt werden, wenn sie nicht beaufsichtigt oder über den Einsatz des Gerätes informiert werden.
 23. ACHTUNG: Benutzen Sie das Gerät nicht, wenn die Tür oder die Türverriegelungen beschädigt ist, bis es von einer Fachperson repariert worden ist.
 24. Es darf keine externe Zeitschaltuhr oder Fernbedienung bei diesem Gerät verwendet werden.
 25. Das Gerät ist nur für den Hausgebrauch und nicht für gewerbliche Nutzung.
 26. Entfernen Sie nie die hinteren oder seitlichen Gerätefüsse, da diese einen Mindestabstand zur Wand für die Luftzirkulation gewährleisten.
 27. Um Schäden zu vermeiden, platzieren Sie den Drehteller richtig, bevor Sie den Betrieb starten.
 28. ACHTUNG: Wartungen und Reparaturen dürfen nur von hierfür autorisierten Fachleuten vorgenommen werden. Muss z.B. das Netzkabel oder die Bedienung ausgechelt werden, muss die Abdeckung welche vor Strahlungen schützt entfernt werden. Gefahr durch austretende Mikrowellenstrahlung! Wenden Sie sich in solchen Fällen also an den Fachhandel.
 29. Das Gerät ist nur zum Auftauen, Garen und Kochen von Speisen geeignet.
 30. Verwenden Sie Topflappen um heiße Speisen zu entnehmen.
 31. Achtung: Beim Entfernen von Bedeckungen von erhitzten Speisen, kann heißer Dampf entweichen.
 32. Bei Rauchentstehung, stellen Sie das Gerät ab und ziehen Sie den Netzstecker. Lassen Sie die Tür des Gerätes geschlossen um eine Raucherzeugung zu vermeiden.

TECHNISCHE DATEN

Energieverbrauch	230-240V/50Hz, 1200W (Mikrowellen)
Ausgangsleistung	700W Mikrowellen
Netzspannung	2450MHz
Aussen Dimensionen	262mm (Höhe) x 452mm (Breite) x 334mm (Tiefe)
Innen Dimension	198mm (Höhe) x 315mm (Breite) x 297mm (Tiefe)
Garraumvolumen	20 Liter
Nettogewicht	Ca. 10.5 kg

INSTALLIERUNG

1. Entfernen Sie sämtliche Schutz- und Verpackungsmaterialien.
2. Achtung: Überprüfen Sie das Gerät auf mögliche Beschädigungen wie zum Beispiel eine schlecht ausgerichtete oder verbogene Tür, beschädigte Türscharnieren und Dichtflächen, defekte oder lose Scharnieren und Verriegelungen an den Dellen im Inneren oder an der Tür. Benutzen Sie das Gerät nicht, wenn es Beschädigungen aufweist und kontaktieren Sie sofort den technischen Dienst.
3. Das Mikrowellengerät darf nur einer stabilen, ebenen und hitzebeständige Fläche aufgestellt werden, die geeignet ist, das Gewicht des Gerätes sowie das max. Gewicht der Nahrungsmittel zu tragen.
4. Stellen Sie das Gerät nicht in der Nähe von Wärmequellen, entzündlichen oder brennbaren Materialien oder an Orten auf, an denen eine hohe Feuchtigkeit auftritt.
5. Für eine ordnungsgemäßen Betriebsleistung muss das Gerät ausreichend belüftet werden. Gewähren Sie nach oben einen Abstand von 20cm, an der Rückseite 10cm und an beiden Seiten jeweils 5 cm. Die Öffnungen des Gerätes dürfen nicht abgedeckt oder versperrt werden. Die Gerätefüsse dürfen nicht entfernt werden.
6. Benutzen Sie das Gerät nicht ohne ordnungsgemäss eingesetzten Glasdreheller und Rollenring.
7. Stellen Sie sicher, dass das Netzkabel nicht beschädigt ist und nicht und nicht unter dem Gerät oder über scharfkantigen oder heissen Flächen verläuft.
8. Die Steckdose muss leicht zugänglich sein, so dass der Stecker im Notfall mühelos herausgezogen werden kann.
9. Benutzen Sie das Gerät nicht im Freien.

FUNKSTÖRUNGEN

Der Betrieb des Mikrowellengerätes kann zu Störungen Ihres Radios, Fehrnesehers oder ähnlichen Geräten führen. Diese Störungen können durch folgenden Massnahmen verringert oder behoben werden:

1. Reinigen Sie die Tür und die Dichtflächen des Mikrowellengerätes
2. Richten Sie die Empfangsantenne des durch die Mikrowelle gestörten Gerätes neu aus.
3. Ändern Sie den Standort des Mikrowellengerätes oder des durch die Mikrowelle gestörten Gerätes.
4. Stellen Sie die Mikrowelle weit weg von dem von durch sie gestörten Gerätes.
5. Schliessen Sie das Mikrowellengerät an eine andere Steckdose an, so dass das Mikrowellengerät und das durch die Mikrowelle gestörte Gerät an unterschiedliche Stromkreise angeschlossen sind.

KOCHANLEITUNG

1. Verteilen Sie die Nahrungsmittel richtig. Legen Sie die dicksten Stücke an den äussersten Rand des Tellers.
2. Achten Sie auf die Kochzeit. Wählen Sie die kürzeste angegebene Kochzeit und verlängern Sie diese bei Bedarf. Nahrungsmittel die stark überbräunt sind, können Rauch entwickeln und sich entzünden. Observe el tiempo de cocción.
3. Flecken Sie Nahrungsmittel während des Kochens ab, um Spritzer zu vermeiden und ein gleichmässiges Kochen zu gewährleisten.
4. Drehen Sie Speisen wie Hähnchen oder Hackfleisch mindestens einmal um, um die Koch zu beschleunigen.
5. Verteilen Sie Speisen nach der Hälfte der Zubereitungszeit neu: von oben nach unten und von innen nach aussen.

HINWEISE ZUR ERDUNG

Diese Gerät muss geerdet sein. Dieses Gerät ist mit einem Erdungskabel, welches mit einem Masseelektrode verbunden ist, ausgestattet und darf nur an eine geerdete Schutzkontaktsteckdose angeschlossen werden. Im Falle eines Kurzschlusses reduziert die Erdung, durch die Bereitstellung einer Ausgangsleitung, das Risiko eines Stromschlages. Es wird empfohlen einen separaten Stromkreis für das Gerät einzurichten. Die Verwendung von Hochspannung ist gefährlich und kann zu Bränden oder anderen Unfällen und folglich zu Verletzungen oder Beschädigungen führen.

Achtung: Eine unsachgemässe Nutzung kann Stromschläge oder Brände verursachen.

Anmerkung :

1. Sollten Sie Fragen zu den Anweisungen bezüglich der Erdung oder Elektrik haben, wenden Sie sich bitte an einen Elektriker.
2. Eine Haftung für Schäden, die durch Nichtbeachtung der Hinweise entstehen, werden nicht übernommen. Die Kabel des Hauptkabels haben folgenden Farbcode :
Grün und Gelb = Erde
Blau = Neutral
Braun = Linie

BEVOR SIE SICH AN DEN FACHHANDEL WENDEN

Wenn das Gerät nicht funktioniert:

1. Überprüfen Sie ob die Sicherung nicht herausgesprungen ist. Wenn das nicht der Fall ist, überprüfen Sie ob die Steckdose funktioniert indem Sie ein anderes Gerät anschliessen.
2. Überprüfen Sie ob sich das Bediensungsfeld korrekt programmieren lässt und sich die Zeitschaltuhr aktiviert.
3. Stellen Sie sicher, dass die Türe ordnungsgemäss verschlossen und die Türverriegelungen richtig schliessen.

Si Sollte das Gerät noch immer nicht funktionieren, wenden Sie sich bitte an den Fachhandel. Versuchen Sie auf keinen Fall das Gerät selbst zu reparieren !

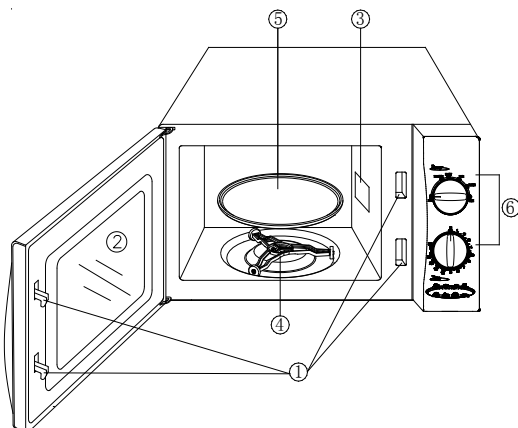
HINWEISE ZU DEN UTENSILIEN

1. Mikrowellengeschirr ist mikrowellen durchlässig und ermöglicht, dass die Energie der Mikrowellen durch den Behälter dringen und die Nahrungsmittel erhitzen kann.
2. Achtung: Mikrowellen können kein Metall durchdringen. Daher darf beim Mikrowellenbetrieb kein Metallschirr oder Geschirr mit Metall verwendet werden.
3. Verwenden Sie keine Produkte aus Recyclingpapier, da diese kleine Metallteile enthalten können, die Funke bzw. Brände auslösen könnten.
4. Sie sollten rundes oder ovales und kein viereckiges oder längliches Geschirr verwenden, da die Speisen in den Ecken leicht überkochen.
5. Um ein Überkochen der Speisen, welche an den Wänden des Behälters platziert wurden, zu vermeind, können feine Aluminiumpapierstreifen benutzt werden. Verwenden Sie nicht zu viel Aluminiumpapier und bewahren Sie eine Abstand von 2.54 cm zwischen dem Papier und den Innern des Gerätes.

Entnehmen Sie aus der folgenden Tabelle welches Geschirr verwendet werden darf und welche nicht.

GESCHIRR	MIKROWELLE
Hitzebeständiges Glas	Ja
Nicht hitzebeständiges Glas	Nein
Mikrowellengeeignete Keramik	Ja
Mikrowellengeeignetes Kunststoffgeschirr	Ja
Küchenpapier	Ja
Metalleinsatz	Nein
Metallrost	Nein
Alufolie und Folienbehältnisse	Nein

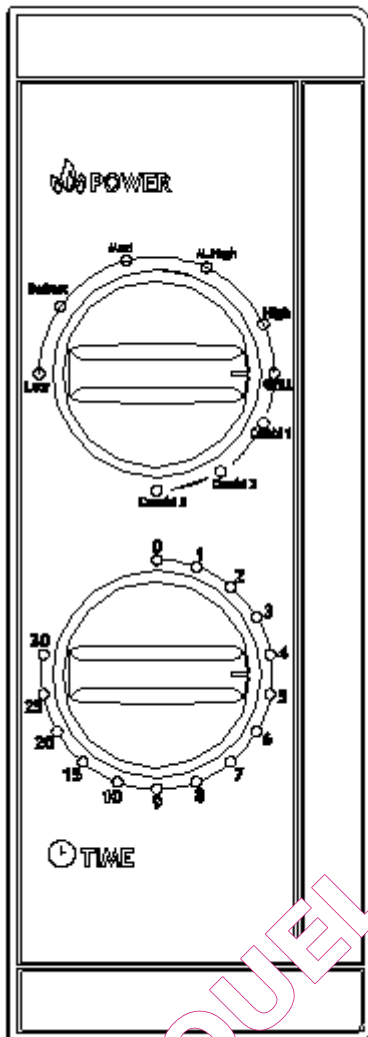
GERÄTEÜBERSICHT



1. Sicherheitssystem
2. Fenster
3. Auslassöffnung (Bedecken Sie diesen Teil des Gerätes nie)
4. Drehvorrichtung
5. Glasdrehsteller
6. Bediensungsfeld

BEDIENUNGSFELD

Das Bediensfeld besteht aus zwei Funktionen. Die Erste "Power", entspricht der Leistungsstufe und die Zweite welche die Zeitschaltuhr ist.



Power

El Mit diesem Knopf können Sie die Leistungsstufe wählen.

Time

El Dieser Knopf ermöglicht es Ihnen die gewünschte Kochzeit zu wählen und strarte den Betrieb des Gerätes.

Um die Kochzeit zu wählen, drehen sie den Kopf nach rechts. Die maximale Kochzeit ist 30 Minuten.

Kochen in der Mikrowelle

HaySie könne wählen zwischen sechs Leistungsstufen wählen. Diese variiert ja nach Nahrungsmittel welche sie kochen wollen. Um die Leistung zu erhöhen, drehen Sie den Knopf nach rechts.

Leistungsstufen können klassifiziert werden in der Tabelle unten Nachteile :

	Power	Description
1	100%	HIGH
2	85%	M.HIGH
3	66%	MED
4	48%	M.LOW
5	40%	DEFROST
6	17%	LOW

BETRIEB

Kochen :

1. Stellen Sie den Speisebehälter auf den Drehteller und schliessen die Tür.
2. Stellen Sie die gewünschte Leistungsstufe ein.
3. Stellen Sie die gewünschte Kochzeit ein.

ACHTUNG :

Sobald die Zeitschaltuhr aktiviert ist, beginnt das Gerät mit dem Betrieb.

Um die Zeitschaltuhr auf weniger als 2 Minuten einzustellen, drehen Sie den Knopf zuerst über 2 Minuten und anschliessend drehen Sie auf die gewünschte Kochzeit zurück.

ACHTUNG : Stellen Sie die Zeitschaltuhr immer wieder auf "0" auch wenn Sie Speisen vor dem Ablauf der Kochzeit herausnehmen oder wenn das Gerät nicht in Betrieb ist. Um den Betrieb vor der abgelaufenen Kochzeit zu stoppen, drücken Sie den Öffnungsknopf oder öffnen Sie direkt die Tür des Gerätes.

REINIGUNG UND WARTUNG

1. Schalten Sie das Gerät aus und ziehen Sie den Netzstecker aus der Steckdose bevor Sie mit der Reinigung beginnen.
2. Halten Sie das Gerät innen sauber. Wenn Spritzer von Nahrungsmitteln oder verschüttete Flüssigkeiten an den Wänden des Gerätes haften, wischen Sie diese mit einem feuchten Tuch ab. Ist das Gerät stark verschmutzt, kann ein mildes Reinigungsmittel verwendet werden. Vermeiden Sie den Einsatz von Spray oder anderen scheibenden Reinigungsmitteln, da sie die Oberfläche der Tür angreifen und verschmutzen können.
3. Die Aussenflächen sollten mit einem feuchten Tuch gereinigt werden. Um eine Beschädigung der Betriebsteile im Inneren des Gerätes zu vermeiden, darf kein Wasser in die Belüftungsöffnungen gelangen.
4. Wischen Sie die Tür und das Sichtfenster auf beiden Seiten ab. Reinigen Sie Türdichtungen und die angrenzenden Teile öfters mit einem feuchten Tuch ab, um mögliche Reste oder Spritzer zu entfernen.
5. Das Bedienfeld darf nicht nass werden, lassen Sie die Türe offen um zu vermeiden, dass das Bedienfeld ungewollt benässt wird.
6. Sollte sich Dampf im Innern oder um das Gerät herum ansammeln, reinigen Sie es mit einem sanften Tuch. Das kann passieren, wenn beim Betreiben des Gerätes in hohen Feuchtigkeitsumständen und ist normal.
7. Ab und zu sollte der Glasdrehteller heraus genommen und mit einem Reinigungsmittel und Wasser oder im Geschirrspüler gereinigt werden.
8. Die Drehvorrichtung und der Innenboden des Gerätes sollten regelmässig gereinigt werden um eine Funktionstörung und eine starke Geräusentwicklung zu vermeiden. Benutzen Sie dazu einen feuchten Lappen und ein sanftes Reinigungsmittel. Die Drehvorrichtung kann mit Wasser und Reinigungsmittel gespült oder im Geschirrspüler gereinigt werden.
9. Um Gerüche aus Ihrem Gerät zu entfernen, geben Sie eine Tasse Wasser mit dem Saft und der Schale einer Zitrone in ein tiefen, mikrowellengeeigneten Behälter und erhitzen Sie es für 5 Minuten im Mikrowellengerät. Wischen Sie nachfolgend das Gerät gründlich mit einem feuchten Tuch aus und trocknen Sie es dann mit einem sanften Tuch.
10. Wenn die Lampe des Gerätes ausgetauscht werden muss, erkundigen Sie sich hierfür bitte bei Ihrem Fachhändler.

UMWELT



ACHTUNG:

Werfen Sie nicht dieses Produkt, wie es mit anderen Haushaltsprodukten hat. Es gibt eine Mülltrennung von diesem Produkt in Gemeinden, Sie müssen Ihre lokalen Behörden über die Orte, wo man dieses Produkt zurückgeben können zu informieren. In der Tat enthalten elektrische und elektronische Produkte gefährliche Stoffe, die schädliche Auswirkungen auf die Umwelt oder die menschliche Gesundheit haben und sollte recycelt werden. Das Symbol hier darauf hinweisen, dass elektrische oder elektronische Geräte sollten sorgfältig ausgewählt werden, ist ein fahrbarer Abfallbehälter mit einem Kreuz markiert.

Hergestellt und importiert: Adeva SAS 8 rue Marc Seguin 77290 Mitry-Mory FRANCE
www.hkoenig.com - contact@hkoenig.com - Tel. 01 64 67 00 01

QUEL FOUR.COM

Nederlands :

Lees deze instructies aandachtig door alvorens het installeren en starten van de oven. Noteer het serienummer dat op de bakplaat staat en bewaar dit nummer voor toekomstige referentie.

Voorzorgsmaatregelen om mogelijke blootstelling aan microgolven te voorkomen

1. Gebruik de oven niet met de deur open, waar dit tot fysieke schade kan leiden als gevolg van blootstelling aan microgolven. Het is zeer belangrijk de beveiligde sluitsystemen te hanteren.
2. Plaats geen voorwerpen voor de ovendeur. Geen grote hoeveelheden vuil of reinigingsmiddelen op het oppervlak van het gesloten gebied laten ontstaan of toebrengen.
3. Gebruik de oven niet als deze beschadigd is. Het is zeer belangrijk dat de ovendeur volledig gesloten is en dat de volgende items geen defect hebben of beschadigd zijn:
 - a. Deur (loszitten)
 - b. Scharnieren en grendels (gebroken of los)
 - c. Afdichting van de deur en het deuropervlak.Probeer de oven niet zelf te repareren. Raar schakel hierboor de technische dienst of een erkende technicus in.

INHOUD

- MAATREGELS TER VOORKOMING VAN MOGELIJKE SCHADE DOOR BLOODSTELLING AAN MICROGOLVEN
- BELANGRIJKE VEILIGHEIDSIINSTRUCTIES
- SPECIFICATIES
- INSTALLATIE
- RADIOSTORINGSKENMERKEN
- HOE TE KOKEN MET DE MAGNETRON
- INSTRUCTIES VOOR DE AARDING
- VOORDAT U DE TECHNISCHE DIENST INSCHAKELD
- ACCESSOIRE OVERZICHT
- NAMEN VAN DE ONDERDELEN
- CONFIGURATIESCHERM
- WERKING
- ONDERHOUD EN REINIGING

BELANGRIJKE VEILIGHEIDSINSTRUCTIES

Bij het gebruik van elektrische apparaten, moet u de standaard veiligheidsmaatregelen in acht nemen.

Let op: Om het risico op brand, elektrische schokken, brand en schade aan personen of langdurige blootstelling aan microgolven te verminderen:

1. Lees alle instructies voordat u het apparaat in gebruik neemt.
2. Gebruik dit apparaat alleen voor normaal gebruik, zoals beschreven in deze handleiding. Gebruik geen agressieve chemicaliën of stoomproducten in dit apparaat. Dit type oven is speciaal ontworpen voor het verwarmen, koken of drogen van voedsel, dit toestel is niet geschikt voor industrieel gebruik of voor gebruik in een laboratorium.
3. Gebruik de oven niet wanneer deze leeg is.
4. Gebruik dit apparaat niet als het een beschadigd snoer of stekker heeft, als het niet naar behoren werkt of als het beschadigd of gevallen is. Als het netsnoer is beschadigd, dan moet het worden vervangen door de fabrikant, door een service agent of door een vergelijkbaar gekwalificeerd persoon om gevaar te voorkomen.
5. Waarschuwing: Sta kinderen alleen wanneer er afdoende instructies zijn gegeven toe de oven, zonder toezicht te gebruiken, zodat het kind in staat is de oven op een veilige manier te gebruiken en de gevaren van onjuist gebruik begrijpt.
6. Om het risico van brand te verlagen in de magnetronruimte:
 - a. Indien u eten verwarmt welke in een plastic of papieren bakje zit, houdt u de magnetron dan in de gaten wegens de mogelijkheid tot ontbranding.
 - b. Verwijder sluitclipjes van papieren en plastic zakken voordat u de zak in de magnetron plaatst.
 - c. Indien u rook signaleert, zet de magnetron uit of haal de stekker uit het stopcontact en houd de deur gesloten ter voorkoming van vlammen.
7. Gebruik de magnetron niet voor opslag doeleinden. Laat geen papieren producten, kookgerei of eten in de magnetron staan indien u deze niet gebruikt.
8. Waarschuwing: Vloeistoffen of ander voedsel moeten niet worden verwarmd in een gesloten bak vanwege de mogelijkheid tot exploderen.
9. Het verwarmen van drank is spatgevaarlijk daarom is voorzichtigheid geboden indien u het bakje opepakt.
10. Frituren van voedsel in de magnetron. Het olije kan schade veroorzaken aan de magnetron en onderdelen en zelfs letsel veroorzaken in brandwonden.
11. Eieren mogen niet worden verwarmd in de magnetron omdat deze kunnen exploderen.
12. Steek door voedsel met dikke schil zoals aardappels, pompoen, appels en kastanjes heen alvorens het koken..
13. De inhoud van voedingflessen en babyflessen moeten zijn geroerd of geschud en de temperatuur moet zijn gecontroleerd alvorens het voeden om verbranding te voorkomen..
14. Kookgerei kan heet worden vanwege de warmte die van het verhitte eten afkomt. Pannelappen dienen gebruikt te worden om het kookgerei vast te pakken..
15. Kookgerei moet worden gecontroleerd of deze geschikt zijn voor de magnetron.
16. Dit apparaat is niet bedoeld voor gebruik door personen (inclusief kinderen) met verminderde lichamelijke, zintuiglijke of geestelijke vermogens, of gebrek aan ervaring en kennis, tenzij zij toezicht of instructie over het gebruik van het apparaat door een persoon die verantwoordelijk is voor hun veiligheid is gegeven.

Kinderen moeten begeleid worden om ervoor te zorgen dat ze niet spelen met het apparaat.

17. **Waarschuwing:** Het is gevaarlijk om een ander dan een bevoegd persoon een reparatie of andere service uit te laten voeren welke betrekking heeft op het verwijderen van een beschermkap welke bescherming geeft tegen blootstelling aan magnetronenergie..
18. De magnetron is niet voor onafhankelijk gebruik.
19. **WAARSCHUWING:** Gebruik de oven niet op een bakplaat of andere apparaten die warmte afgeven. aangezien dit het apparaat kan beschadigen en de garantie dan vervalt.
20. De magnetronoven kan niet in een kast geplaatst worden.
21. Het apparaat mag niet worden gebruikt door kinderen of personen met verminderde lichamelijke, zintuiglijke of geestelijke vermogens, of een gebrek aan ervaring en kennis, tenzij ze onder toezicht staan of zijn geïnformeerd.
22. **LET OP:** Als de deur of de afdichtingen beschadigd zijn, mag de oven niet worden gebruikt totdat deze is gerepareerd door een bevoegd persoon
23. Het apparaat is niet ontworpen om te worden bediend door middel van een externe timer of een afstandsbediening.
24. De magnetron is alleen geschikt voor thuisgebruik en niet voor commercieel gebruik.
25. Verwijder nooit de remote support aan de achterzijde of aan de zijkanten, omdat het zorgt voor een minimale afstand tot de muur voor luchtcirculatie.
26. Bevestig de hub voor het toestel verplaatst om schade te voorkomen.
27. **Waarschuwing:** Het is gevaarlijk om de magnetron te herstellen of onderhouden door iemand anders dan een specialist, vanwege de beschermingsfunctie van de deksel tegen straling. Dit geldt als u het netsnoor of de verlichting wenst te vervangen. In deze gevallen, stuurt u het apparaat naar ons service center.
28. De magnetron is enkel voor het ontdooien, het stomen van en het bereiden van eten.
29. Draag handschoenen als u het verwarmde voedsel wilt verwijderen.
30. **Waarschuwing!** Ontsnapping van heet stoom bij het openen van afgedekte of het verpakte producten.
31. Als er rook uit de magnetron komt, schakelt u deze uit of trekt u de stekker uit het stopcontact. Houd de deur gesloten om verstikking te voorkomen

SPECIFICATIES

Stroomverbruik:	230-240V/50Hz, 1200W(Magnetron)
Nominaal magnetron vermogen:	700W
Operatie frequentie:	2450MHz
Afmetingen:	262mm(H)×452mm(W)×334mm(D)
Afmetingen binnenruimte:	198mm(H)×315mm(W)×297mm(D)
Magnetroninhoud:	20Liter
Gelijkmatig koken:	Draaischijf-systeem
Nettogewicht:	Ongeveer 10.5 kg

INSTALLATIE

1. Zorg ervoor dat alle verpakkingsmateriaal is verwijderd van de binnenkant van de deur.
2. Waarschuwing: Controleer de magnetron op schade, zoals een beschadigde of gebogen deur, beschadigde deursluitingen en afdichtingsvlakken, gebroken deurscharnieren en grendels en deuken aan de binnenkant van de magnetron of op de draaischijf. Als er enige schade is, gebruik de magnetron niet en neem contact op met gekwalificeerd onderhoudspersoneel.
3. Deze magnetronoven moet op een vlakke, stabiele ondergrond worden geplaatst welke het gewicht moet kunnen dragen van de magnetron en het zwaarste voedsel wat in deze magnetron bereid wordt.
4. Plaats de magnetron niet op een warme of vochtige plaats of op een plaats waar een hoge luchtvochtigheid is, of in de buurt van brandbare materialen.
5. Voor een correcte werking van de magnetron moet er een goede luchtstroom zijn. Laat 20cm ruimte aan de bovenkant van de magnetron, 10cm aan de achterkant en 5cm aan beide zijden. Bedek of blokkeer de openingen van het apparaat niet. Verwijder de voetjes niet.
6. Gebruik de magnetron niet zonder dat de glasplaat, draairing en drijfvas in de juiste positie zijn.
7. Zorg ervoor dat het netsnoer niet beschadigd is en dat het niet onder de magnetron ligt of op een hete of scherpe ondergrond.
8. Het stopcontact moet toegankelijk zijn, zodat de magnetron eenvoudig kan worden losgekoppeld in geval van nood.
9. Gebruik de magnetron niet buitenshuis.

RADIOSTORING

Werking van de magnetronoven kan storingen op uw radio, TV of soortgelijke apparatuur veroorzaken. Als er storing is, dan kan deze worden verminderd of verholpen door de volgende maatregelen:

1. Maak de deur en de afdichtingsvlakken van de oven schoon
2. Heroriënteer de ontvangstantenne

van de radio of televisie.

3. Plaats de magnetronoven anders t.o.v. de ontvanger.
4. Plaats de magnetronoven uit de buurt van de ontvanger.
5. Steek de stekker van de magnetronoven in een ander stopcontact, zodat de magnetronoven en de ontvanger op verschillende circuits zitten

MAGNETRON KOOKPRINCIPES

1. Rangschik voedsel zorgvuldig. Plaats de dikste delen aan de buitenkant van de schotel.
2. Let op de kooktijd. Kook de kortste tijd aangegeven en voeg meer tijd toe als dit nodig is. Overkookt eten kan riken of verbranden.
3. Bedek voedsel tijdens het koken. Deksels voorkomen spatten en helpen om het voedsel gelijkmatig te koken.
4. Draai voedsel tijdens het koken één keer om in het koken van voedsel middelen als kip en hamburgers te versnellen. Grote stukken moeten minimal één keer gedraaid worden.
Herschik voedsel zoals gehaktballen halverwege het koken, zowel van boven naar beneden als van het centrum van de oven.

GROUNDING INSTRUCTIONS

Dit apparaat moet worden geaard. Deze oven is uitgerust met een snoer met een geaarde draad met een geaarde stekker. Het moet worden aangesloten op een stopcontact dat naar behoren geïnstalleerd en geaard is. In het geval van een elektrische kortsluiting vermindert geaarde apparatuur het risico van elektrische schok omdat deze is voorzien van een ontsnappingsdraad voor de elektrische stroom. Het wordt aanbevolen om een apart circuit voor de oven te gebruiken. Gebruik van hoog voltage is gevaarlijk en kan resulteren in brand of andere ongevallen die leiden tot ovenschade..

Waarschuwing: Onjuist gebruik van de geaarde stekker kan resultèrent in risico van elektrische schok.

Let op

1. Als u vragen heeft over het aarden of de elektrische instructies, neem dan contact op met een elektricien of een gekwalificeerd onderhoudspersoon.
2. De fabrikant en de leverancier kunnen niet verantwoordelijk worden gesteld voor schade aan de magnetron of persoonlijk letsel indien deze is veroorzaakt door het niet juist opvolgen van de elektrische aansluiting procedure van de magenetron.

Groen en Geel = Aarde

Blauw = Neutraal

Bruin = Fase

ALVORENS U BELT VOOR ONDERHOUD

Als de oven niet functioneert:

1. Controleer of er geen zekering is gesprongen in de stoppenkast en of de schakelaar goed staan. Indien deze goed zijn, test het stopcontact met een ander apparaat.

2. Controleer of het

bedieningspaneel correct is geprogrammeerd en de timer goed is ingesteld.

3. Controleer of de deur goed is gesloten en het veiligheidssluiting werkt. Anders zal er geen magnetronenergie door de oven stromen..

Als geen van de bovenstaande maatregelen de situatie herstelt, dan verzoeken wij u om contact op te nemen met een gekwalificeerde technicus. Probeer niet zelf de magnetron aan te passen of te repareren.

QUEL FOUR.COM

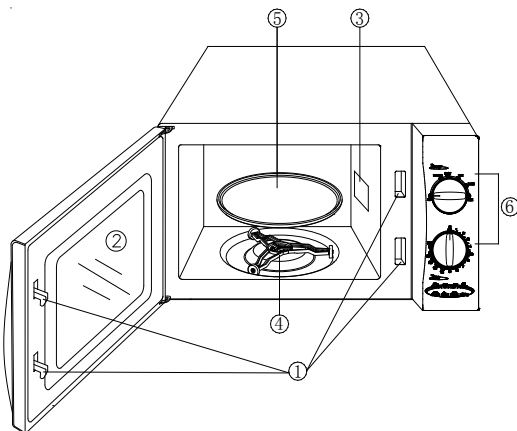
ACCESSOIRE OVERZICHT

1. Het ideale kookgerei voor een magnetron is materiaal dat transparant is voor magnetrongolven, het staat toe dat energie door het bakje/schaal heen gaat en het voedsel opwarmt.
2. Magnetronstraling gaat niet door metaal, daarom dienen metalen keukengerei of schalen met een metalen rand niet te worden gebruikt.
3. Indien u de magnetron gebruikt, gebruik dan geen producten waarin recycle papier is verwerkt, deze kunnen namelijk kleine metalen onderdeeltjes bevatten welke vonken en/of brand kunnen veroorzaken
4. Wij adviseren ronde / ovale schalen te gebruiken, liever dan rechthoekige / vierkante schalen omdat voedsel in hoeken de neiging heeft om over te koken.
5. Er mogen smalle stroken aluminiumfolie worden gebruikt om overkoken van bepaalde gebieden te voorkomen. Maar wees voorzichtig, gebruik niet te veel en houd een afstand van ca. 2,5 cm tussen het folie en het voedsel.

Onderstaande lijst is algemene info om u te helpen met het bepalen van het juiste keukengerei.

ACCESSOIRE	MAGNETRON
Hitte bestendig glas	Ja
Niet hitte bestendig glas	Nee
Hittebestendig keramiek	Ja
Magnetron plastic	Ja
Keukenpapier	Ja
Metalen bakplaat	Nee
Metalen rezele	Nee
Aluminium folie	Nee

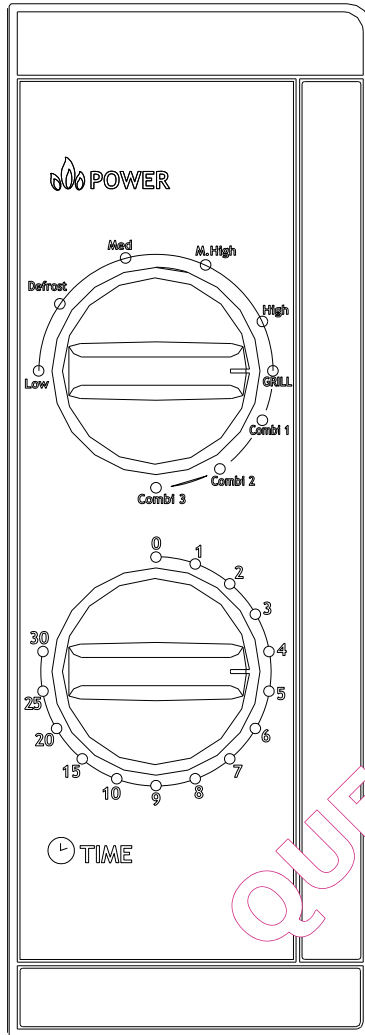
BENAMING VAN DE ONDERDELEN



1. Deursluiting
2. Magnetronraam
3. Luchtventilatie (niet blokkeren)
4. Drijf as
5. Glasplaat
6. Bedieningspaneel

BEDIENINGSPANEEL

Het bedieningspaneel bestaat uit twee functies. De eerste “power”, gaat over het vermogen van de magnetron. De tweede “time” gaat over de tijdsinstellingen.



POWER

Druk om het magnetron vermogenniveau te selecteren.

TIME

De minuten knop geeft de mogelijkheid de kooktijd aan te geven en het apparaat te starten.

Voor selectie van de kooktijd, draai de knop naar rechts. De maximale kooktijd is 30 minuten.

MAGNETRON BEREIDING

Er zijn zes vermogensniveaus voor het koken. Het is van belang dat de juiste kooktijd wordt gekozen bij het gerecht. Om het vermogen in te stellen draait u de knop naar rechts.

De vermogensniveaus kunnen worden ingedeeld zoals aangegeven in de tabel :

	Vermogen	Descriptie
1	100%	HOOG
2	85%	M.HOOG
3	66%	MID
4	48%	M.LAAG
5	40%	ONTDOOI
6	17%	LAAG

WERKING

Om een kook-sessie te starten:

1. Plaats het voedsel in de oven en sluit de deur.
2. Draai de "power" knop om een vermogen te selecteren.
3. Gebruik de timer knop om de kooktijd in te stellen.

LET OP :

Zodra de timer is geactiveerd, begint de magnetron te koken.

Voor een gewenste tijd van minder dan twee minuten draait u de knop voorbij de twee minuten, waarna u de knop terugdraait naar de gewenste tijd.

ATTENTIE : ZET DE TIMER ALTIJD TERUG OP NUL. Als het eten uit de magnetron wordt gehaald, voordat de timer op 0 staat of als de oven niet wordt gebruikt. Om de oven te stoppen tijdens het koken, drukt u op de deuropening knop of op de deur met behulp van het handvat

REINIGING EN ONDERHOUD

1. Zet de magnetron voor het reinigen uit en verwijder de stekker uit het stopcontact.
 2. Houdt de binnenkant van de magnetron schoon. Indien voedselresten of vloeistoffen op de magnetronbodem terechtkomen neem deze dan af met een vochtige doek. Zacht schoonmaakmiddel mag worden gebruikt indien de magnetron erg smerig is geworden. Vermijd het gebruik van sprays en overige ruwe schoonmaakmiddelen want deze kunnen de deuropervlakte beschadigen.
 3. De buitenkant moet worden gereinigd met een vochtige doek. Om schade aan de operationele onderdelen aan de binnenkant van de magnetron te voorkomen mag er geen water in de ventilatieopeningen sijpelen.
 4. Veeg de deur en het raam aan beide kanten schoon en maak de deursluiting en aangrenzende delen regelmatig schoon.
 5. Gebruik een vochtige doek om restjes of spetters te verwijderen. Gebruik geen schuurmiddel.
 5. Laat het bedieningspaneel niet nat worden. Reinigen met een zachte, natte doek. Laat de deur bij het reinigen van het bedieningspaneel open om te voorkomen dat u de magnetron per ongeluk aanzet.
 6. Als stoom ophoopt binnen of rond de buitenkant van de magnetrondeur, veeg deze dan af met een zachte doek. Dit kan voorkomen wanneer de magnetronoven wordt gebruikt in omstandigheden met hoge luchtvochtigheid. Dit is normaal.
 7. Het is soms nodig om de glasplaat te verwijderen voor reiniging. Was de plaat in warm schuimend water of in een vaatwasser.
 8. De draairing en magnetronbodem moeten regelmatig worden gereinigd om overmatig
-

lawaai te voorkomen. Veeg de bodem van de magnetron schoon met een mild reinigingsmiddel. De draairing kan worden gewassen in mild schuimend water of in de vaatwasser. Zorg er bij het verwijderen van de draairing uit de magnetronbodem voor dat u de ring op de juiste plaatst terug plaatst.

9. Verwijder geurtjes uit uw magnetron door het combineren van een kopje water met het sap en de schil van een citroen in een diepe magnetronkom, magnetron 5 minuten. Droog de magnetron grondig met een zachte doek. Neem contact op met een dealer wanneer het noodzakelijk is om de magnetronlamp te vervangen.

MILIEU



ATTENTIE:

Dit apparaat mag niet met uw ander huishoudelijke toestellen worden verwijderd. Dit product moet op een geselecteerde stortplaats verwijderd worden. U kunt bij de gemeente een indiceerde plaats aanvragen. Elektrisch en elektronisch producten kunnen gevaarlijke stoffen inhouden die schadelijk zijn voor mensen en het milieu en moet recycled worden. Het symbool aan de kant geeft aan dat het een elektrisch en elektronisch toestel is en zijn dus artikelen van een selectieve collectie. Het beeld geeft een afvalbak met een X teken aan.

Geproduceerd en geïmporteerd door Heko SAS 8, Rue Marc Seguin 77290, Mitry-Mory FRANKRIJK

www.hkoenig.com - contact@hkoenig.com – Telefoon: 01 64 67 00 01

Español:

Lea atentamente estas instrucciones antes de proceder a la instalación y al uso del horno microondas. Anote el número de serie indicado en la placa del dispositivo y guarde esta información para usarla en el futuro.

Precauciones para evitar la posible exposición a la energía del microondas

1. No intente operar el horno con la puerta abierta, puede sufrir daños debido a la exposición a las microondas. Es muy importante no manipular los sistemas de bloqueo de seguridad.
2. No coloque objetos delante de la puerta del horno microondas. No deje que el polvo o productos de limpieza se acumulen en la superficie de la zona de cierre.
3. No utilice el horno si está dañado. Es muy importante que la puerta del horno esté cerrada y que los siguientes elementos no tengan defectos o no estén dañados:
 - a. Puerta (velado)
 - b. Bisagras y pestillos (rotos o sueltos)
 - c. El sellado de la junta de la puerta y la superficie de la articulación.
4. Nunca trate de ajustar o reparar el horno microondas, esto sólo lo puede hacer el servicio técnico o un técnico autorizado.

CONTENIDO

- PRECAUCIONES PARA EVITAR POSIBLES DAÑOS DEBIDO A LA EXPOSICIÓN A LAS MICROONDAS
- INSTRUCCIONES DE SEGURIDAD IMPORTANTES
- ESPECIFICACIONES
- INSTALACIÓN
- INTERFERENCIAS DE RADIO
- CÓMO COCINAR EN EL MICROONDAS
- INSTRUCCIONES PARA EL CONTACTO A TIERRA
- ANTES DE LLAMAR AL SERVICIO TÉCNICO
- GUÍA DE UTILIZACIÓN
- NOMBRES
- PANEL DE CONTROL
- FUNCIONAMIENTO
- LIMPIEZA Y MANTENIMIENTO

INSTRUCCIONES DE SEGURIDAD IMPORTANTES

Cuando use dispositivos eléctricos, debe tomar precauciones básicas de seguridad.

Precaución: Para reducir el riesgo de quemaduras, descargas eléctricas, incendios y lesiones a personas o una exposición prolongada a las microondas:

1. Lea todas las instrucciones antes de usar el dispositivo.
 2. Utilice este artefacto sólo para un uso normal, tal como se describe en este manual. No utilice productos químicos o vapores corrosivos en este dispositivo. Este tipo de horno está específicamente diseñado para calentar, cocinar o secar alimentos, este dispositivo no ha sido diseñado para uso industrial o de laboratorio.
 3. No utilice el horno vacío.
 4. No utilice este dispositivo si el cable o el enchufe están dañados. Si el dispositivo no funciona correctamente, se ha dañado o se ha caído. Si el cable de alimentación está dañado, deberá ser reemplazado por el fabricante, el centro de servicio o por una persona autorizada para evitar todo tipo de peligro.
 5. Advertencia: No permita que los niños utilicen el horno sin supervisión a menos que hayan recibido las recomendaciones necesarias para un uso seguro y sean conscientes de los peligros en caso de uso indebido.
 6. Para reducir el riesgo de incendio en el interior del microondas:
 - a. Cuando caliente alimentos en recipientes de plástico o de papel, compruebe el horno con frecuencia debido a la posible ignición.
 - b. Retire las ataduras de alambre de las bolsas de papel o bolsa de plástico antes de poner en el horno.
 - c. Si surge humo, apague o desenchufe el horno y mantenga la puerta del horno cerrada para contener el fuego.
 7. No utilice el interior del horno para almacenar alimentos. No deje productos de papel, utensilios de cocina o alimentos en el horno cuando no esté en uso.
 8. Advertencia: Cualquier tipo de líquido o alimentos no debe calentarse en un recipiente cerrado, ya que pueden explotar.
 9. Calentar bebidas en el microondas puede causar que hierva y salpique por lo cual hay que tener mucho cuidado al retirar el envase.
 10. No fría los alimentos en el horno. El aceite caliente puede dañar las piezas y utensilios del horno e incluso causar quemaduras en la piel.
 11. Los huevos con cáscara y huevos duros no debe calentarse en el horno ya que pueden explotar, incluso cuando el horno no está caliente.
 12. Puncen la piel de los alimentos gruesos como las patatas, calabazas, manzanas y castañas antes de cocinarlos.
 13. Revolver o agitar el contenido de las botellas y tarros y compruebe la temperatura antes de servir para evitar quemaduras.
 14. Tenga cuidado al retirar los recipientes ya que pueden estar muy calientes. Usar guantes de protección para su protección.
 15. Verifique los utensilios para asegurarse de que son adecuados para su uso en microondas.
- Este dispositivo no está diseñado para ser utilizado por personas (incluidos niños) con capacidades físicas, sensoriales o mentales reducidas, o con falta de experiencia o conocimiento, a menos que se les haya dado información sobre el uso del dispositivo por una persona responsable de su seguridad. Se debe supervisar a los niños para asegurarse de que no jueguen con el dispositivo.
16. Advertencia: Es peligroso hacer reparaciones o mantenimiento si la persona no se forma correctamente, al sacar la cubierta protectora, la persona está expuesta a la energía microondas.
 17. El microondas debe ser utilizado de forma autónoma.
 18. ADVERTENCIA: No coloque el horno microondas sobre superficies calientes

ya que esto podría dañar el dispositivo y anular la garantía.

19. Las superficies accesibles del microondas pueden estar calientes durante el funcionamiento.
20. El horno de microondas no puede ser colocado en un gabinete.
21. El dispositivo debe ser colocado contra una pared.
22. El dispositivo no debe ser utilizado por niños o personas con capacidades físicas, sensoriales o mentales reducidas o con una falta de experiencia y conocimiento a menos que sean supervisados o informados sobre el uso del dispositivo.
23. **PRECAUCIÓN:** Si la puerta o los cierres de la puerta están dañados, el horno no debe ser utilizado hasta que haya sido reparado por una persona competente.
24. El dispositivo no está diseñado para ser accionado por medio de un temporizador externo o un sistema de control remoto.
25. El dispositivo es para solamente uso doméstico y no para uso comercial.
26. Nunca quite el soporte de la parte trasera o los laterales, ya que esto garantiza una distancia mínima de la pared para la circulación del aire.
27. Ajuste el plato giratorio antes de mover el dispositivo para evitar daños.
28. **Advertencia:** Es peligroso hacer reparaciones o mantenimiento, esto lo debe hacer solamente un especialista porque la cubierta proporciona protección contra la radiación. Esto se aplica si usted necesita cambiar el cable de alimentación o iluminación. En estos casos, envíe la unidad a nuestro centro de servicio.
29. El horno microondas está diseñado para descongelación, cocción a vapor y cocción de alimentos.
30. Utilice guantes para retirar los alimentos calientes.
31. ¡Advertencia! Saldrá vapor cuando abra las envolturas de los alimentos calentados.
Si sale humo, apague y desenchufe el dispositivo y manténgalo cerrado para sofocar el humo.

QUELFOUR.COM

ESPECIFICACIONES

Consumo de energía	230-240V/50Hz, 1200W (microondas)
Potencia de salida	700W microondas
Frecuencia de funcionamiento	2450MHz
Dimensiones externas	262mm (Altura) x 452mm (Ancho) x 334mm (Fondo)
Dimensiones del interior	198mm (Altura) x 315mm (Ancho) x 297mm (Fondo)
Capacidad del horno de microondas	20 Litres
Peso neto	Aprox. 10.5 kg

INSTALACIÓN

1. Asegúrese de retirar todo el material de embalaje.
2. Precaución: Verifique si el microondas tiene defectos, por ejemplo, si la puerta está desubicada; o si el sello de la puerta o de la superficie de la articulación está dañado o roto; o las cerraduras o bisagras se aflojan o se rompen, o si hay deformaciones dentro del microondas o en la puerta. En caso de daño , no encienda el horno y contacte directamente al servicio técnico.
3. Este horno microondas debe colocarse sobre una superficie plana y estable que pueda soportar su peso y el peso máximo de los alimentos.
4. No coloque el horno cerca de fuentes de calor, humedad o de materiales inflamables.
5. El horno debe tener entrada de aire suficiente. Deje 30 cm de espacio por encima del horno, 10 cm detrás y 5 cm en los laterales. No bloquee las aberturas de ventilación. No desmonte los soportes inferiores.
6. No haga funcionar el dispositivo sin la bandeja giratoria , soporte de cojinete y el eje en la posición correcta. Asegúrese de que el cable de alimentación no esté dañado y que no pase por debajo del horno o sobre superficies calientes o cortantes.
8. La toma de corriente debe estar instalada en un lugar fácilmente accesible para que el enchufe macho pueda desenchufarse con facilidad en caso de emergencia.
9. No use el horno microondas en exteriores.

INTERFERENCIAS

El funcionamiento del horno microondas puede interferir con la recepción de radio, TV o equipos similares. Esta interferencia se puede reducir o eliminar tomando las siguientes medidas:

1. Limpie la puerta del horno y la superficie de la junta.

2. Vuelva a orientar la antena de la radio o la televisión.
3. Coloque el microondas en otro lugar.
4. Mueva el horno de microondas lejos del receptor.
5. Enchufe el microondas en un lugar diferente.

CONSEJOS BÁSICOS PARA COCINAR EN EL MICROONDAS

1. Coloque cuidadosamente los alimentos. Ponga las partes más gruesas hacia los bordes del recipiente.
2. Observe el tiempo de cocción. Cocine durante el tiempo mínimo de cocción indicado y aumentelo si es necesario. Los alimentos cocidos pueden quemar intensamente y prenderse fuego.
3. Cubra los alimentos durante la cocción, esto previene salpicaduras y ayuda a que se cocine uniformemente.
4. Para acelerar la cocción, gire los alimentos voluminosos como el pollo o la carne más de una vez.
5. Vaya acomodando los alimentos desde el centro hacia afuera y de arriba hacia abajo del recipiente.

INSTRUCCIONES PARA LA CONEXIÓN A TIERRA

Este dispositivo debe ser conectado a una toma de tierra. Este horno está equipado con un cable de tierra conectado a un electrodo de tierra. Este enchufe debe estar conectado a una toma de tierra. En caso de un cortocircuito, la conexión a tierra reduce el riesgo de descarga eléctrica, ya que proporciona un cable de salida para la corriente eléctrica. Se recomienda que el receptáculo sólo se utilice para el dispositivo. El uso de un voltaje alto es peligroso y puede provocar incendios u otros accidentes que pueden causar daños al horno.

Precaución: El uso inadecuado del electrodo de tierra puede provocar una descarga eléctrica.

Nota

1. Si tiene alguna duda sobre la puesta a tierra o las instrucciones eléctricas, consulte a un electricista o un servicio oficial.
 2. Ni el fabricante ni el distribuidor es responsable de los daños causados a personas o al dispositivo si no se siguen las instrucciones detalladas anteriormente.
- Los cables del cable principal están coloreados de acuerdo con los siguientes códigos:

Verde y amarillo = Tierra

Azul = Neutro

Marrón = Línea

ANTES DE LLAMAR AL SERVICIO TÉCNICO

Si el horno microondas no funciona:

1. Compruebe el fusible o que el interruptor automático no haya saltado. Si estos no se han movido, compruebe si la toma de corriente funciona conectando otro dispositivo para su verificación.
2. Compruebe que el panel de control se programe correctamente y si se activa el temporizador.
3. Asegúrese de que la puerta se cierre con el mecanismo de cierre de seguridad. Si no lo está, la energía de microondas no fluirá en el horno.

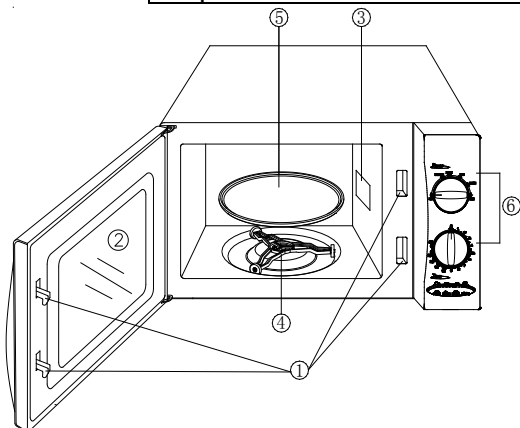
Si ninguna de estas medidas corrige el problema, póngase en contacto con un técnico autorizado, no intente ajustar o reparar el horno usted mismo.

GUÍA DE UTENSILIOS

1. El material ideal para utensilios de microondas debe ser transparente para pasar energía a través del recipiente y calentar la comida.
2. La energía de microondas no puede penetrar el metal, no use recipientes de metal o que contengan metal.
3. No use productos de papel reciclado en el microondas, ya que pueden contener pequeños fragmentos de metal que pueden causar chispas y/o llamas.
4. Le recomendamos usar recipientes ovales o redondos en lugar de cuadrados y o con esquinas ya que el horno microondas tiende a cocinar más en las esquinas.
5. Las tiras finas de papel de aluminio pueden ser utilizadas en contra de la cocción excesiva en las áreas expuestas. Tenga cuidado de no usar demasiado papel de aluminio y mantenga una distancia de 2-4 cm entre la hoja y el interior del microondas.

La siguiente lista es una guía general para seleccionar los utensilios adecuados.

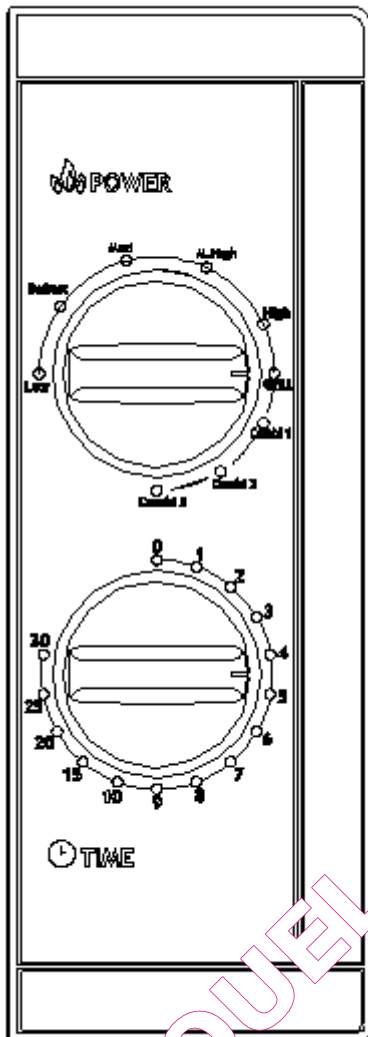
UTENSILIO	MICROONDAS
Vidrio resistente al calor	Sí
Vidrio no resistente al calor	No
Cerámica resistente al calor	Sí
Recipientes de plástico para microondas	Sí
Papel de horno	Sí
Bandeja de metal	No
Soporte de metal	No
Papel aluminio	No



COMPONENTES

1. Sistema de seguridad
2. Ventana
3. Ventilación (No cubra esta parte del microondas)
4. Eje de rotación
5. Plato giratorio de vidrio
6. Panel de control

PANEL DE CONTROL



El panel de control consta de dos funciones. la primera "Power ", que corresponde a la potencia de cocción y el segundo "Time" que es el temporizador.

Power

El botón de encendido permite seleccionar un nivel de potencia de cocción.

Time

El botón del temporizador le permite elegir el tiempo de cocción y enciende el dispositivo. Para seleccionar el tiempo de cocción, gire el botón hacia la derecha. El tiempo máximo de cocción es de 30 minutos.

Cocinar con microondas

Hay seis niveles de potencia para cocinar. Es importante elegir la potencia de cocción dependiendo del plato a cocinar. Para aumentar la potencia, gire el botón hacia la derecha.

Los niveles de energía pueden ser clasificados como se detalla en la siguiente tabla:

	Potencia	Descripción
1	100%	HIGH
2	85%	M.HIGH
3	66%	MED
4	48%	M.LOW
5	40%	DEFROST
6	17%	LOW

FUNCIONAMIENTO

Para cocinar:

1. Coloque los alimentos en el horno microondas y cierre la puerta.
2. Gire el botón de encendido para seleccionar un nivel de potencia.
3. Utilice el botón del temporizador para ajustar el tiempo de cocción.

NOTA:

Una vez que se activa el temporizador, el horno empieza a cocinar.

Para configurar un tiempo de menos de 2 min de cocción, gire el temporizador después de 2 min y gírelo de vuelta a la hora deseada.

PRECAUCIÓN: SIEMPRE DEVUELVA EL TEMPORIZADOR A CERO si la comida se saca del horno antes de que finalice el tiempo de cocción o si el horno no está en uso. Para detener el horno durante la cocción, pulse el botón de apertura de la puerta o abra la puerta directamente.

LIMPIEZA Y MANTENIMIENTO

1. Antes de limpiar el dispositivo, apáguelo y desenchúfelo.
2. Mantenga el horno limpio. Cuando las salpicaduras de líquidos o alimentos se adhieran a las paredes del interior del horno microondas, use un paño húmedo para limpiarlos. Se puede utilizar un detergente suave si el horno está muy sucio. Evite usar aerosoles y otros productos agresivos ya que pueden manchar la superficie de la puerta.
3. Las superficies externas deben limpiarse con un paño húmedo. Para evitar daños en las partes que operan en el interior, el agua no debe pasar a través de la red interna.
4. Limpie regularmente ambos lados de la puerta y ventana, juntas de la puerta y partes contiguas para eliminar manchas de salpicaduras.
5. No deje que el panel se moje y deje la puerta del horno abierta para evitar que se inicie accidentalmente.
6. Si se acumula vapor dentro o alrededor del horno microondas, límpielo con un paño suave. Esto puede ocurrir cuando el horno funciona en condiciones de alta humedad. Esto es normal.
7. Ocasionalmente es necesario retirar el plato giratorio de vidrio para la limpieza. Lávelo con jabón y agua o en el lavavajillas.
8. El anillo giratorio y la base del horno deben de ser limpiados con regularidad para evitar el ruido excesivo. Sólo tiene que utilizar un paño con un detergente suave. El anillo se puede limpiar con agua y jabón o en el lavavajillas.
9. Para eliminar los olores del horno, ponga agua con un poco de jugo de limón en un recipiente apto para microondas y encienda el horno durante 5 minutos. Limpie a fondo el horno y séquelo con un paño suave.
10. Cuando sea necesario cambiar la luz del horno, póngase en contacto con su distribuidor.

MEDIO AMBIENTE



ATENCIÓN:

No se deshaga de este producto como lo hace con otros productos del hogar. Existe un sistema selectivo de colecta de este producto puesto en marcha por las comunidades, debe de informarse en su ayuntamiento acerca de los lugares en los que puede depositar este producto. De hecho, los productos eléctricos y electrónicos pueden contener sustancias peligrosas que tienen efectos nefastos para el medio ambiente o para la salud humana y deben ser reciclados. El símbolo aquí presente indica que los equipos eléctricos o electrónicos deben de ser cuidadosamente seleccionados, representa un recipiente de basura con ruedas marcado con una X.

Fabricado e importado por : Adeva SAS 8 rue Marc Seguin 77290 Mitry-Mory FRANCE
www.hkoenig.com - contact@hkoenig.com - Tel. 01 64 67 00 01

QUEL FOUR.COM

Italiano:

Leggere attentamente le istruzioni prima di installare e avviare il forno. Annotare il numero di serie sulla targhetta e conservare queste informazioni per riferimenti futuri.

NUMERO DE SERIE:

Precauzioni per evitare possibili esposizioni all'energia delle microonde

1. Non tentare di far funzionare il forno con lo sportello aperto, si possono subire danni a causa delle esposizioni alle microonde. È molto importante non alterare i sistemi di bloccaggio di sicurezza.
2. Non posizionare oggetti davanti alla porta del forno. Non lasciare che la polvere o prodotti di pulizia si accumulino nella zona di chiusura dello sportello.
3. Non utilizzare il forno se è danneggiato. È molto importante che lo sportello del forno sia completamente chiuso e che le seguenti parti non abbiano subito un difetto o non siano danneggiate:
 - a. Sportello (non deve essere storto)
 - b. Cerniere e chiusure (rotte o allentate)
 - c. **Tenuta della guarnizione dello sportello e la superficie dei raccordi.**
4. Si consiglia di non regolare o riparare il forno, a meno che tutte le operazioni non vengano eseguite dal servizio tecnico o da un tecnico autorizzato.

CONTENUTO

- PRECAUZIONI PER PREVENIRE EVENTUALI DANNI DOVUTI ALL'ESPOSIZIONE DELL'ENERGIA DELLE MICROONDE
- IMPORTANTI ISTRUZIONI DI SICUREZZA
- SPECIFICHE TECNICHE
- INSTALLAZIONE
- PERTURBAZIONI RADIOELETTRICHE
- COME CUCINARE CON IL FORNO A MICROONDE
- ISTRUZIONI PER LA MESSA A TERRA
- PRIMA DI RIVOLGERSI ALL'ASSISTENZA
- GUIDA AGLI UTENSILI
- NOMI DEI COMPONENTI
- PANNELLO DI CONTROLLO
- FUNZIONAMENTO
- PULIZIA E MANUTENZIONE

IMPORTANTI ISTRUZIONI DI SICUREZZA

Quando si usano apparecchi elettrici, è necessario prendere precauzioni di sicurezza.

Attenzione: per ridurre il rischio di ustioni, scosse elettriche, incendi e danni a persone o a una prolungata esposizione all'energia delle microonde:

1. Leggere tutte le istruzioni prima di utilizzare l'apparecchio.
2. Utilizzare quest'apparecchio solo per il suo uso normale, come descritto in questo manuale. Non usare prodotti chimici corrosivi o vapori in quest'apparecchio. Questo tipo di forno è specificamente progettato per riscaldare, cucinare o seccare il cibo. Quest'apparecchio non è stato progettato per un uso industriale o per un laboratorio.
3. Non utilizzare il forno vuoto.
4. Non usare quest'apparecchio se il cavo o la spina sono danneggiati, se il forno non funziona correttamente, se è stato danneggiato o è caduto. Se il cavo di alimentazione è danneggiato, esso deve essere sostituito dal costruttore o dal centro di assistenza o da una persona autorizzata per evitare pericoli.
5. **Attenzione:** Non permettere ai bambini di utilizzare il forno senza sorveglianza, se non hanno prima ricevuto le necessarie istruzioni per un uso sicuro e sono consapevoli dei pericoli in caso di uso improprio.
Per ridurre il rischio di incendio all'interno del forno:
 - a. Quando si riscalda il cibo in un contenitore di plastica o di carta, controllare il forno frequentemente a causa di possibili combustioni.
 - b. Rimuovere le fascette metalliche dai sacchetti di carta o di plastica prima di metterli nel forno.
 - c. Se c'è del fumo, spegnere o scollegare il forno e tenere la porta del forno chiusa per contenere il fuoco.
6. Non usare la cavità del forno per la conservazione dei cibi. Non lasciare prodotti di carta, utensili da cucina o cibo nel forno quando non è in uso.
7. **Attenzione:** nessun liquido o alimento deve essere riscaldato in un contenitore chiuso poiché potrebbero esplodere.
8. Il calore delle bevande riscaldate nel forno a microonde può causare una bollitura ritardata; per questo è opportuno prestare la massima attenzione quando si prendono i contenitori.
9. Non friggere il cibo nel forno. L'olio caldo può danneggiare le parti, gli utensili da forno e persino causare ustioni cutanee.
10. Le uova ancora con il guscio e le uova sode non devono essere riscaldate nel forno in quanto potrebbero esplodere anche quando il forno non è più in funzione.
11. Effettuare dei piccoli forellini sui cibi con una pelle spessa come: patate, zucche, mele e castagne prima della cottura.
12. Mescolare o agitare il contenuto di bottiglie e vasetti e controllare la temperatura prima di servire per evitare scottature.
13. Gli utensili da cucina si riscaldano a causa della temperatura del cibo.
14. Assicurarsi che gli utensili utilizzati siano adatti per l'utilizzo in forno a microonde.
15. Quest'apparecchio non è destinato all'uso da parte di persone (bambini compresi) con ridotte capacità fisiche, sensoriali o mentali ridotte, o con mancanza di esperienza, salvo che non siano assistiti da una persona responsabile della loro sicurezza che controlli l'uso dell'apparecchio. Assicurarsi che i bambini non giochino con l'apparecchio.

16. **Attenzione:** è pericoloso effettuare riparazioni o manutenzioni se la persona non è adeguatamente formata, poiché rimuovendo il coperchio di protezione si viene esposti alle microonde.
17. Il forno a microonde deve essere utilizzato in modo indipendente.
18. **ATTENZIONE:** Non appoggiare il forno su fornelli o altre fonti di calore poiché potrebbero danneggiare il dispositivo e invalidare la garanzia.
19. Le superfici del forno a microonde possono essere molto calde durante il funzionamento.
20. Il forno a microonde non può essere posto in un armadio.
21. Il dispositivo deve essere posizionato contro una parete.
22. L'apparecchio non deve essere utilizzato da bambini o persone con ridotte capacità fisiche, sensoriali o mentali ridotte, o con mancanza di esperienza, salvo che non siano assistiti da una persona responsabile della loro sicurezza che controlli l'uso dell'apparecchio.
23. **ATTENZIONE:** Se la porta o le guarnizioni sono danneggiate, il forno non deve essere utilizzato fino a quando non è stato riparato da una persona competente.
24. L'apparecchio non è progettato per essere attivato per mezzo di un timer esterno o un sistema di controllo remoto.
25. Il forno a microonde è per uso domestico e non per uso commerciale.
26. Non rimuovere il supporto remoto sul retro o sui lati, in quanto esso garantisce una distanza minima dalla parete per la circolazione dell'aria.
27. Fissare il piatto girevole prima di spostare l'unità per evitare danni.
28. **Avvertenza:** è pericoloso riparare o maneggiare il dispositivo a meno che non si tratti esclusivamente di uno specialista poiché rimuovendo il coperchio di sicurezza si viene esposti all'energia delle microonde. Tutto ciò vale anche nel caso in cui sia necessario cambiare il cavo di alimentazione o l'illuminazione. In questi casi, inviare l'apparecchio al nostro centro di assistenza.
29. Il forno a microonde è destinato solo per scongelare il cibo, riscaldare il cibo, cucinare al vapore e cucinare il cibo.
30. Indossare i guanti quando si rimuove il cibo riscaldato.
31. **Attenzione!** Del vapore fuoriesce quando si aprono i coperchi o la pellicola per avvolgere il cibo.
32. Se fuoriesce del fumo, spegnere o staccare la spina e tenere la porta chiusa per soffocare il fumo.

SPECIFICHE TECNICHE

Consumo di energia	230-240V/50Hz, 1200W(Microonde)
Potenza di uscita del forno a microonde	700W
Frequenza operativa	2450MHz
Dimensioni esterne	262mm(H)×452mm(W)×334mm(D)
Dimensioni della cavità del forno a microonde	198mm(H)×315mm(W)×297mm(D)
Capacità forno a microonde	20 litri
Tipo di cottura	Piatto girevole
Peso netto:	Circa 10.5 kg

INSTALLAZIONE

1. Assicurarsi di aver rimosso tutto il materiale d'imballaggio.
2. Attenzione: Verificare eventuali difetti nel forno, per esempio: se la porta è dislocata o svitata, se la guarnizione della porta o delle altre superfici sono danneggiate o rotte, o se le serrature o i cardini della porta sono allentati o rotti, o se vi sono deformazioni nella cavità o sulla porta. In caso di danni, non accendere il forno e contattare direttamente il servizio di assistenza.
3. Questo forno a microonde deve essere posizionato su una superficie piana e stabile in grado di sostenere il suo peso (compreso il peso della quantità massima di cibo consentito).
4. Non posizionare il forno vicino a fonti di calore, di umidità o di materiali infiammabili.
5. Per un corretto uso, il forno deve avere un passaggio d'aria sufficiente. Lasciare 20 cm di spazio sopra il forno, 10 cm indietro e 5 cm ai lati. Non bloccare e non ostruire le aperture dell'apparecchio. Non smontare i piedi.
6. Non utilizzare l'apparecchio se il piatto girevole in vetro, il supporto con i cuscinetti e l'asse centrale non sono nella posizione corretta.
7. Assicurarsi che il cavo di alimentazione non sia danneggiato e non vada sotto al forno o su superfici calde o taglienti.
8. La presa deve essere installata in un luogo facilmente accessibile in modo che la spina sia facilmente scollegabile in caso di emergenza.
9. Non utilizzare l'apparecchio in ambienti esterni.

PERTURBAZIONI RADIOELETTRICHE

Il funzionamento del forno può interferire con la ricezione di radio, TV o apparecchiature simili. Questa interferenza può essere ridotta o eliminata adottando le seguenti misure:

1. Pulire la porta del forno e la superficie della guarnizione.
2. Riposizionare l'antenna della radio o

della televisione.

3. Spostare il forno a microonde dall'area di ricezione degli apparecchi.
4. Allontanare il forno a microonde lontano dal ricevitore.
5. Collegare il forno a microonde in un luogo diverso da quello in cui è collegato il ricevitore.

COME CUCINARE CON IL FORNO A MICROONDE

1. Collocare il cibo con attenzione. Mettere le parti più spesse verso i bordi del contenitore.
2. Controllare il tempo di cottura. Impostare il tempo di cottura minimo indicato e poi aumentare, se necessario. I cibi cotti possono bruciare intensamente e prendere fuoco.
3. Coprire i cibi durante la cottura. I coperti evitano gli schizzi e aiutano gli alimenti a cucersi in modo uniforme.
4. Accelerare la cottura, girare il cibo voluminoso come pollo e carne rossa almeno una volta.
5. Mescolare alimenti, come gli gnocchi, dal centro verso i bordi della ciotola, contenitore, ecc.

ISTRUZIONI PER LA MESSA A TERRA

Questo dispositivo deve essere collegato a una presa con messa a terra. Questo forno è dotato di un filo a terra collegato a un elettrodo di massa. Questa spina deve essere correttamente collegata a una presa con messa a terra. In caso di cortocircuito, la messa a terra riduce il rischio di scosse elettriche perché fornisce un cavo di uscita per la corrente elettrica. Si raccomanda che la presa di corrente sia utilizzata solo per il forno a microonde. L'uso di una tensione troppo elevata è pericoloso e può causare incendi o altri incidenti che possono causare danni al forno.

Attenzione: l'uso improprio di un elettrodo di massa può causare scosse elettriche.

Note

1. Se avete dei dubbi sulla messa a terra o sulle istruzioni elettriche, consultare un elettricista o il centro di assistenza.
2. Né il produttore né il rivenditore sono responsabili per danni causati a persone o cose se il forno viene utilizzato senza l'osservanza di queste indicazioni per il collegamento elettrico.

I fili del cavo principale sono colorati in conformità con i seguenti codici :

verde e giallo = Terra

blu = Neutro

marrone = Linea

PRIMA DI RIVOLGERSI ALL'ASSISTENZA

Se il forno a microonde non funziona:

1. Controllare se il fusibile del salvavita o il salvavita stesso sia scattato. Se questa non è la causa, collegare un altro dispositivo alla presa per verificare se la presa funziona.
2. Verificare che il pannello di controllo sia

programmato correttamente e se è attivato il timer.

3. Assicurarsi che la porta sia chiusa con il meccanismo di chiusura di sicurezza. Se non lo è, l'energia a microonde non fluirà nel forno.

Se nessuna di queste misure risolve la situazione, contattare un tecnico autorizzato, non tentare di modificare o riparare il forno da soli.

QUEL FOUR.COM

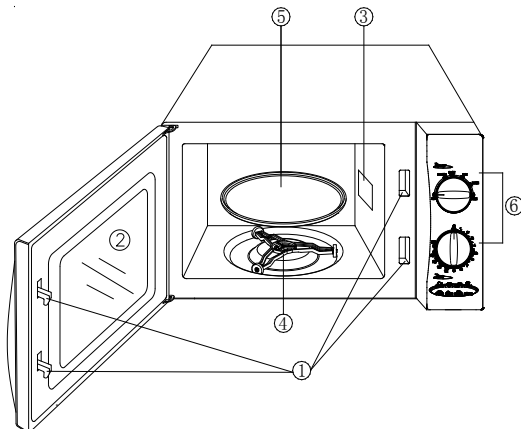
GUIDA AGLI UTENSILI

1. Il materiale ideale per la cottura al forno a microonde deve essere trasparente per permettere il passaggio dell'energia attraverso il contenitore e riscaldare il cibo.
2. L'energia delle microonde non può penetrare il metallo, quindi non utilizzare utensili e contenitori in metallo o con i bordi in metallo.
3. Non utilizzare prodotti di carta riciclata nel forno a microonde in quanto potrebbero contenere piccoli frammenti di metallo che possono causare scintille e/o fiamme.
4. Si consiglia di usare contenitori dalla forma ovale o rotonda, piuttosto che quadrata perché il cibo tende a cuocersi di più negli angoli.
5. Delle sottili strisce di alluminio possono essere usate per prevenire la cottura eccessiva nelle zone esposte. Fate attenzione e non usare troppo alluminio e mantenere una distanza di 2,54 cm tra la pellicola e la cavità.

Il seguente elenco è una guida generale per scegliere gli utensili giusti.

UTENSILE	MICROONDE
Un vetro termoresistente	Si
Vetro che non può sopportare il calore	No
Ceramica resistente al calore	Si
Piatto di plastica adatta per microonde	Si
Carta da forno	Si
Vasce in metallo	No
Superfici metalliche	No
Fogli di alluminio	No

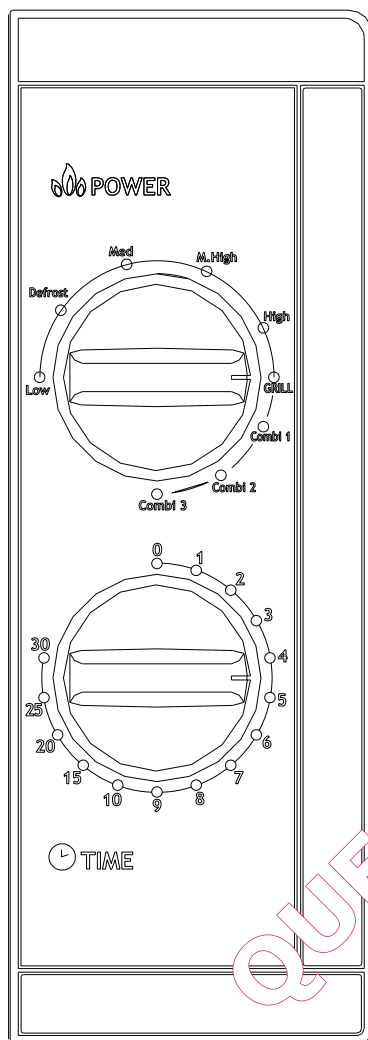
NOMI DEI COMPONENTI



1. Sistema di sicurezza
2. Oblò
3. Ventilazione (Mai coprire questa parte del microonde)
4. Asse di rotazione
5. Piatto girevole in vetro
6. Pannello di controllo

PANNELLO DI CONTROLLO

Il pannello di controllo è costituito da due funzioni: la prima "power" corrisponde alla potenza di cottura mentre la seconda "time" è il timer.



POWER

Questa manopola permette di scegliere il livello di potenza desiderato.

TIME

Il pulsante timer consente di scegliere il tempo di cottura e accendere il dispositivo.

Per selezionare il tempo di cottura, ruotare la manopola verso destra. Il tempo di cottura massimo è di 30 minuti.

CUCINARE CON IL FORNO A MICROONDE

Esistono sei livelli di potenza per la cottura. È importante scegliere la potenza di cottura a seconda della pietanza da cucinare. Per aumentare la potenza, ruotare la manopola verso destra.

I livelli di potenza possono essere classificati come mostrato nella seguente tabella:

	Power	Descrizione
1	100%	HIGH
2	85%	M.HIGH
3	66%	MED
4	48%	M.LOW
5	40%	DEFROST
6	17%	LOW

FUNZIONAMENTO

Per avviare una sessione di cottura:

1. Mettere il cibo nel forno e chiudere lo sportello.
2. Ruotare la manopola di accensione per selezionare un livello di potenza.
3. Usare la manopola del timer per regolare il tempo di cottura.

NOTE:

Una volta che il timer è attivato, il forno inizia la cottura.

Per un periodo minore di 2 minuti, ruotare il timer dopo 2 minuti e tornare al tempo desiderato.

ATTENZIONE: RIMETTERE SEMPRE IL TIMER A ZERO se il cibo viene rimosso dal forno prima che il tempo di cottura sia terminato, o quando il forno non viene utilizzato. Per fermare il forno durante la cottura, premere il pulsante di apertura dello sportello o aprire lo sportello con la maniglia.

PULIZIA E MANUTENZIONE

1. Prima della pulizia, spegnere il forno e l'alimentazione scollegando la presa a muro.
2. Prenditi cura del tuo forno. Quando del cibo o degli schizzi si attaccano alle pareti del forno, pulirle con un panno umido. È possibile utilizzare un detergente delicato quando il forno è particolarmente sporco. Evitare l'uso di spray e altri prodotti aggressivi perché possono macchiare la superficie della porta.
3. Le superfici esterne devono essere pulite con un panno umido. Per evitare di danneggiare le parti operative interne, l'acqua non deve passare attraverso la rete interna.
4. Passare un panno umido su entrambi i lati della porta e dell'oblò, sulle guarnizioni e sulle altre parti per rimuovere tutti gli schizzi di cibo.
5. Non lasciare mai il pannello di controllo e lo sportello bagnati per evitare che il forno sia avviato accidentalmente.
6. Se del vapore si accumula nel forno o intorno a esso, pulire con un panno morbido. Questo può accadere quando il forno è in funzione in condizioni di elevata umidità ed è normale.
7. Occasionalmente, è necessario rimuovere il piatto girevole di vetro per la pulizia. Lavarlo con sapone e acqua corrente o in lavastoviglie.
8. L'anello rotante e la base del forno devono essere puliti regolarmente per evitare un eccessivo rumore. Basta usare un panno con un detergente delicato. L'anello può essere pulito con acqua e sapone o in lavastoviglie. Quando si rimuove l'anello per pulire

la base, dopo la pulizia rimetterlo nella sua posizione corretta.

9. Per rimuovere gli odori dal forno, mettere l'acqua con un po' di succo di limone in un contenitore adatto per microonde e accendere il forno per 5 minuti. Dopodiché pulire accuratamente il forno e asciugare.
10. con un panno morbido. Qualora sia necessario cambiare la luce del forno, si prega di contattare il proprio rivenditore.

AMBIANTE



ATTENZIONE:

Non gettare quest' apparecchio tra i rifiuti domestici. Per questo tipo di prodotti è fornito dai comuni un sistema di raccolta e ritiro in zona ed è quindi un dovere informarsi per conoscere il giusto smistamento del rifiuto. Infatti, i prodotti elettrici ed elettronici possono contenere sostanze pericolose che hanno effetti dannosi sull'ambiente o sulla nostra salute e quindi devono essere riciclati. Il simbolo al lato indica che le apparecchiature elettriche ed elettroniche fanno parte di una raccolta selettiva e differenziata (rappresentata da un bidone su due ruote sbarrato da una croce).

Prodotto e importato da : Adeva SA 81000 Marc Seguin 77290 Mitry-Mory FRANCE

www.hkoenig.com - contact@hkoenig.com - Tel. 01 64 67 00 01

QUEL FOUR.COM